

2025 Promos

- Stocked Whirlpool range
- Save on Showerscreen packages

Carron Bathrooms Trade Book 2025



PROUD MEMBER OF:



All prices exclusive of VAT.

Carron Bathrooms

The Trade Book 2025

Welcome to the 2025 Carron Trade Book, the trade's favourite guide to the trade's favourite baths. This guide contains every Carron Bathrooms product and all the information and specifications needed to choose and fit our baths.

Carron's reputation for quality and reliability is combined with a fast and efficient sales support team. Here to help you with any questions before and after you purchase one of our baths.

Our entire bath range is available in our patented Carronite finish, which now comes with a 40-year warranty. Proving that Carron is indeed The Name for Baths.

PRICES SHOWN ARE EXCLUSIVE OF VAT. PRICES VALID FROM JANUARY 1ST 2025.

The product pages in this Bath Book come with a series of icons showing the optional extras available for each model.

CARRONITE™

Carronite™ is Carron's unique patented manufacturing process. Carronite baths are more stable and hold water temperature for longer than a standard acrylic bath. Every Carronite™ bath comes with a 40 year manufacturer warranty, giving extra peace of mind when installing for a customer.

PANELS

Baths with a panel icon have a corresponding panel designed specifically to fit the product in question.

HAND GRIPS

Many Carron baths come with hand grips as an optional extra. All Carron hand grips allow for the use of a showerscreen.



WHIRLPOOL

The ultimate in bathing luxury, C-Lenda Whirlpool systems are available as an optional extra for Carron baths. You will also find a guide to the Whirlpool range available on page 6.

EASE OF ACCESS

If you require a bath with a lower height, look out for our Ease of Access icon, to assist users with limited mobility.

WATER SAVER

Providing a solution for those looking to reduce their water usage, the Water Saver icon shows baths with reduced water capacity.



Carronite™.

Designed to last a lifetime.

Carronite™ from Carron bathrooms is the original and best, reinforced bath finish.

All Carron baths are robust, sturdy and well-built. But the benefits delivered by the unique Carronite™ finish brings added strength and quality. Making the bath 30% stronger and holds heat for 30 minutes longer.

Carronite™ comes with a 40 year warranty.

To celebrate the 40th Anniversary of our Carronite™ finish, we've increased our warranty to 40 years!

40 || **YEAR**
WARRANTY

Carronite™ Benefits.

- We only use 5mm cast acrylic to ensure the perfect bathing & showering experience
- Fully encapsulated timber rim support
- 3-stage precision reinforcement process
- 18mm fully encapsulated baseboard
- Bespoke Carronite™ waste ring – for a perfect seal



CARRONITE &
C-LENDA WHIRLPOOL
THE PERFECT MATCH

Save up to £581*



Purchase any Carron bath with a C-Lenda whirlpool system and get a **FREE CARRONITE UPGRADE**. Call us today on 01324 638407 or email info@carronbathrooms.com

*This offer, based on a Linea 1900 x900, would be worth a potential saving of £581.00 (ex-VAT) at retail prices, allowing your customer to benefit from all of the additional strength of a Carronite bath with its 40 year Warranty.

C-Lenda

Whirlpool Systems

The C-Lenda Whirlpool system is the most technologically advanced system available on today's market. This unique jet system has been designed by Markon in New Zealand and ensures the most comfortable bathing experience. Almost all baths in the Carron range are compatible with this whirlpool system and are made to order by our skilled technicians at our factory in Falkirk.

In previous whirlpool baths, the fittings protruded from the bath wall into the bathing area and were prone to build up of soap which was difficult to clean. In the unique C-Lenda design, all fittings are flush with the bath wall, creating a smooth, continuous surface.

System 1	£1,327	①	System 5	£1,999	⑤
SYSTEM OPTIONS:	Pneumatic Controls, 6 Side Jets		SYSTEM OPTIONS:	Electronic Controls, 6 Side Jets, 6 Back Jets, 4 Feet Jets	
System 2	£1,657	②	System 6	£2,327	⑥
SYSTEM OPTIONS:	Pneumatic Controls, 6 Side Jets, 6 Back Jets, 4 Feet Jets		SYSTEM OPTIONS:	Electronic Controls, 6 Side Jets, 6 Back Jets, 4 Feet Jets, Chromotherapy Light	
System 3	£1,999	③	Optional extras		
SYSTEM OPTIONS:	Pneumatic Controls, 6 Side Jets, 6 Back Jets, 4 Feet Jets, Chromotherapy Light		Chromotherapy	£336	
System 4	£1,657	④	Extra feet jets (pair)	£168	
SYSTEM OPTIONS:	Electronic Controls, 6 Side Jets		For double ended baths, we recommend adding an extra pair of feet jets to provide a symmetrical appearance.		

System Components

● Flush Centro Jets

● Flush Air Control

● Electronic On/Off

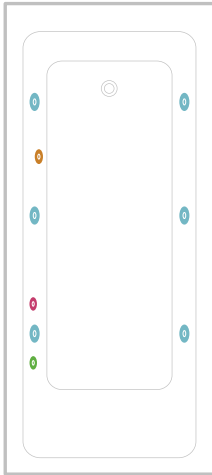
● Flush Suction

● Chromotherapy Light

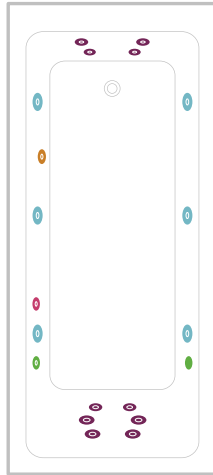
● Pneumatic On/Off

● Flush Mini Jets

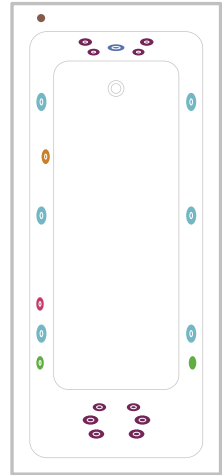
● Chromotherapy On/Off



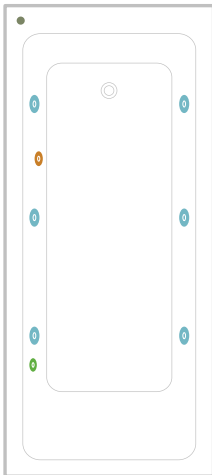
C-Lenda System 1 ①



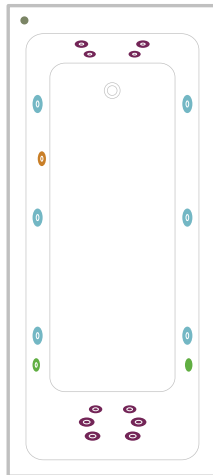
C-Lenda System 2 ②



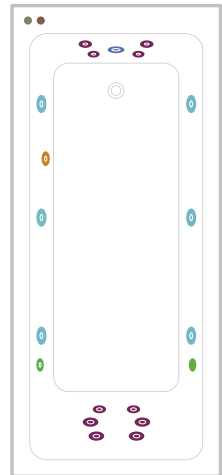
C-Lenda System 3 ③



C-Lenda System 4 ④



C-Lenda System 5 ⑤



C-Lenda System 6 ⑥

Diagrams shown are a guide only. Controls & light positions can vary by model. Please consult Carron for more information.

Stocked C-Lenda Whirlpool Baths

Carron now has a range of our most popular Whirlpool baths fully fitted and ready to ship. The range includes eight rectangular baths and one corner bath model. These represent the baths & systems our customers choose most.

All our stocked C-Lenda Whirlpool baths are available in Carronite™ only. The tried and tested industry leader in bath finishes which now comes with an extended 40-year warranty.



Left: Status (Right Hand) with C-Lenda System 6.



Right: Quantum SE with C-Lenda System 1.

Rectangular Baths

Bath	Size	System fitted	Carronite	Code
Quantum SE (p27) System includes: Electronic Controls, 6 Side Jets.	1575 x 700 x 570 (Deep)	System 4	£1,666	02751W4
Alpha (p53) System includes: Pneumatic Controls, 6 Side Jets, 6 Back Jets, 4 Feet Jets, Chromotherapy Light.	1700 x 700	System 3	£1,833	02006W3
Delta (p59) System includes: Pneumatic Controls, 6 Side Jets.	1700 x 700	System 1	£1,499	02068W1
Equity (p79) System includes: Electronic Controls, 6 Side Jets, 6 Back Jets, 4 Feet Jets, Chromotherapy Light.	1700 x 750	System 6	£2,166	02360W6
Quantum SE (p88) System includes: Pneumatic Controls, 6 Side Jets.	1700 x 750	System 1	£1,499	02148W1
Status LH (p99) System includes: Electronic Controls, 6 Side Jets, 6 Back Jets, 4 Feet Jets.	1700 x 800	System 5	£2,166	02218W5
Status RH (p99) System includes: Electronic Controls, 6 Side Jets, 6 Back Jets, 4 Feet Jets.	1700 x 800	System 5	£2,166	02220W5
Equity (p115) System includes: Electronic Controls, 6 Side Jets, 6 Back Jets, 4 Feet Jets, Chromotherapy Light	1800 x 800	System 6	£2,333	02362W6

Corner Baths

Bath	Size	System fitted	Carronite	Code
Monarch (p174) System includes: Electronic Controls, 6 Side Jets.	1300 x 1300	System 4	£1,833	02237W4

Contents

Rectangular Baths

Urban Sitbath 1250x725	14	Imperial TG 1700x700	60
Delta 1400x700	15	Matrix 1700x700	61
Imperial TG 1400x700	16	Profile SE 1700x700	62
Arc SE 1500x700	17	Profile DE 1700x700	63
Axis 1500x700	18	Quantum DE 1700x700	64
Delta 1500x700	19	Quantum Integra 1700x700	65
Imperial TG 1500x700	20	Quantum Integra Eco 430	66
Matrix 1500x700	21	Quantum Integra Eco 515	67
Profile SE 1500x700	22	Quantum SE 1700x700	68
Quantum Integra 1500x700	23	Swallow TG 1700x700	69
Quantum Integra Eco 430	24	Status 1700x725	70
Quantum Integra Eco 515	25	Urban 1700x725	71
Quantum SE 1500x700	26	Alpha 1700x750	72
Quantum SE 1575 x 700 Super Deep	27	Arc DE 1700x750	73
Axis 1600x700	28	Arc SE 1700x750	74
Camden SE 1600x700	29	Britannia 1700x750	75
Delta 1600x700	30	Camden DE 1700x750	76
Imperial TG 1600x700	31	Echelon (includes filler) 1700x750	77
Matrix 1600x700	32	Equation 1700x750	78
Profile SE 1600x700	33	Equity 1700x750	79
Profile DE 1600x700	34	Highgate DE 1700x750	80
Quantum Integra 1600x700	35	Highgate SE 1700x750	81
Quantum Integra Eco 430	36	Index 1700x750	82
Quantum Integra Eco 515	37	Profile SE 1700x750	83
Quantum SE 1600x700	38	Profile DE 1700x750	84
Status 1600x725	39	Quantum DE 1700x750	85
Sigma 1600x750	40	Quantum Integra DE 1700x750	86
Profile DE 1600x800	41	Quantum Integra 1700x750	87
Quantum SE 1600x800	42	Quantum SE 1700x750	88
Axis 1650x700	43	Quantum Spacesaver 1700x750-400	89
Camden SE 1650x700	44	Sienna 1700x750	90
Delta 1650x700	45	Sigma 1700x750	91
Matrix 1650x700	46	Zone 1700x750	92
Quantum Integra 1650x700	47	Apex 1700x800	93
Quantum SE 1650x700	48	Haiku 1700x800	94
Profile DE 1650x700	50	Quantum DE 1700x800	95
Delta 1675x700	51	Quantum Integra 1700x800	96
Imperial TG 1675x700	52	Quantum SE 1700x800	97
Alpha 1700x700	53	Sigma 1700x800	98
Arc SE 1700x700	54	Status 1700x800	99
Axis 1700x700	55	Quantum SE 1700x900	100
Britannia 1700x700	56	Camden DE 1750x750	101
Camden SE 1700x700	57	Profile DE 1750x750	102
Camden DE 1700x700	58	Profile SE 1750x750	103
Delta 1700x700	59	Quantum Integra 1750x750	104

Rectangular Baths

Swallow TG 1800x700	105
Profile SE 1800x700	106
Profile DE 1800x700	107
Quantum SE 1800x725	108
Imperial TG 1800x750	109
Alpha 1800x800	110
Arc DE 1800x800	111
Britannia 1800x800	112
Echelon (inc Filler) 1800x800	113
Equation 1800x800	114
Equity 1800x800	115
Haiku 1800x800	116
Highgate DE 1800x800	117
Highgate SE 1800x800	118
Quantum Integra 1800x800	119
Quantum DE 1800x800	120
Quantum SE 1800x800	121
Sienna 1800x800	122
Sigma 1800x800	123
Zone 1800x800	124
Haiku 1800x900	125
Mistral 1800x700-900	126
Linea 1900x900	127
Quantum DE 1900x900	128
Sigma 1900x900	129

Showerbaths

Quantum 1500x700-850	133
Urban Compact 1500x750-900	134
Profile SB 1500x900	135
Status 1550x850	136
Urban Swing 1575x850	137
Urban Edge 1575x700-850	138
Delta 1600x700-800	139
Quantum 1600x700-850	140
Brio 1650x700-850	141
Urban Edge 1675x700-850	142
Aspect 1700x700-800	143
Delta 1700x700-800	144
Arc 1700x700-850	145
Quantum 1700x700-850	146
Highgate 1700x750-900	147
Urban 1700x750-900	148
Sigma 1800x750-900	149

Freestanding Baths

Paradigm 1550x850	152
Ascoli 1700x750	153
Halcyon Oval 1750x800	154
Halcyon Square 1750x800	155
Halcyon 'D' 1750x800	156
Highgate 1750x800	157
Elysee 1800x900	158
Celsius 1910x910	159

ColourMatch

ColourMatch	162
ColourMatch Infinity Base	163

Carron Editions

Editions Collection	166
---------------------	-----

Corner Baths

Dove 1550x950	170
Omega 1700x1000	172
Oriole 1200x1200	173
Monarch 1300x1300	174
Tranquility 1300x1300	175
Centennial 1500x1500	176
Clipper 1575x1200	177

Celsius Range

Celsius 700	180
Celsius 750	181
Celsius 1800	182
Celsius Showerbath	183
Celsius Oval	184
Celsius Duo	185

Panels, Screens & Accessories

L-Shaped Panels	188
Front Panels	189
End Panels	189
Screens	190
Headrests	190

Rectangular Baths

The most popular bath shape needs to come in a wide range of sizes and configurations. The Carron range of rectangular baths has every base covered with lengths ranging from 1250mm to 1900mm over a selection of width options.

Grip Options

Chrome hand grips available on many of our rectangular baths. Anthracite Integra hand grips fits Quantum Integra bath only. Please order using appropriate product code.



Chrome hand grip CCG-1
£59 per pair 02357



Chrome hand grip CCG-2
£46 per Pair 02356



Anthracite Integra
hand grip CCG-3
£60 per pair 02549

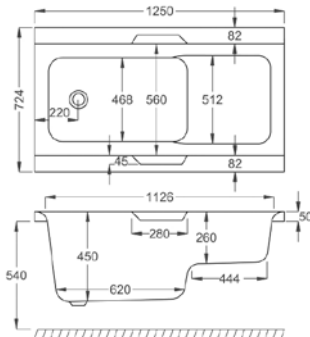
*Fits Quantum Integra bath only.



Urban Sitbath

Length. **1250mm** | Width. **725mm** | Height. **540mm**

	5mm	Code	Carronite	Code
Urban Sitbath	£408	02445	£630	02446
Urban Sitbath Front Panel	£146	02495	£197	02496
Urban Sitbath End Panel	£104	02287	£137	02307
Screen CFS-1 (H=1400mm)	£262	02344	£262	02344
Screen CFS-2 (H=1500mm)	£262	02346	£262	02346



FEATURES: **C** Carronite **P** Panel
H Hand Grips

CAPACITY: 155 Litres

WHIRLPOOL: N/A

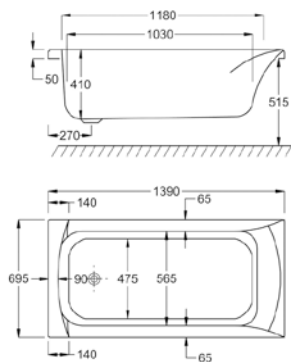
KIT REF: Standard - AK-06
Carronite - AK-06-C

SIZES: 1250x725

Delta

Length. **1400mm** | Width. **700mm** | Height. **515mm**

	5mm	Code	Carronite	Code
Delta	£445	02047	£716	02048
Front Panel (1400x515)	£130	02280	£188	02266
End Panel (700x515)	£104	02285	£137	02271
Screen CFS-1 (H=1400mm)	£262	02344	£262	02344
Screen CFS-2 (H=1500mm)	£262	02346	£262	02346
Grips CCG-1	£59	02357	£59	02357



FEATURES: **C** Carronite **P** Panel
H Hand Grips **W** Whirlpool

CAPACITY: 142 Litres

WHIRLPOOL: Systems ① ④

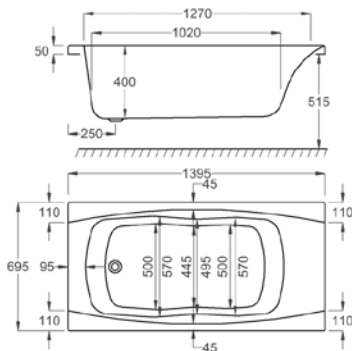
KIT REF: Standard - AK-01
 Carronite - AK-01-C

SIZES: 1400x700, 1500x700,
 1600x700, 1650x700,
 1675x700, 1700x700

Imperial TG

Length. **1400mm** | Width. **700mm** | Height. **515mm**

	5mm	Code	Carronite	Code
Imperial 1400 TG	£367	02455	£609	02456
Front Panel (1400x515)	£130	02280	£188	02266
End Panel (700x515)	£104	02285	£137	02271
Screen CFS-1 (H=1400mm)	£262	02344	£262	02344
Screen CFS-2 (H=1500mm)	£262	02346	£262	02346



FEATURES:

- C** Carronite
- P** Panel
- H** Hand Grips
- W** Whirlpool

CAPACITY:

135 Litres

WHIRLPOOL:

Systems ① ④

KIT REF:

Standard - AK-01
Carronite - AK-01-C

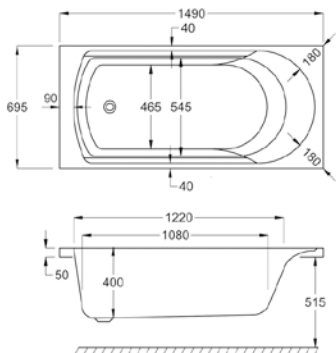
SIZES:

1400x700, 1500x700,
1600x700, 1675x700,
1700x700, 1800x750

Arc SE

Length. **1500mm** | Width. **700mm** | Height. **515mm**

	5mm	Code	Carronite	Code
Arc 1500	£351	02443	£602	02444
L-Shaped Panel (1500x700x515)	-	-	£368	02502
Front Panel (1500x515)	£130	02315	£188	02314
End Panel (700x515)	£104	02285	£137	02271
Screen CFS-1 (H=1400mm)	£262	02344	£262	02344
Screen CFS-2 (H=1500mm)	£262	02346	£262	02346
Grips CCG-2	£46	02356	£46	02356



FEATURES: **C** Carronite **P** Panel
H Hand Grips **W** Whirlpool

CAPACITY: 150 Litres

WHIRLPOOL: Systems ① ② ③ ④ ⑤ ⑥

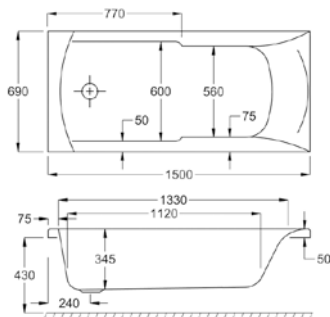
KIT REF: Standard - AK-01
Carronite - AK-01-C

SIZES: 1500x700, 1700x700,
1700x750

Axis

Length. **1500mm** | Width. **700mm** | Height. **430mm**

	5mm	Code	Carronite	Code
Axis	£373	02029	£629	02030
L-Shaped Panel (1500x700x430)	-	-	£368	02499
Front Panel (1500x430)	£130	02252	£188	02253
End Panel (700x430)	£104	02258	£137	02259
Screen CFS-1 (H=1400mm)	£262	02344	£262	02344
Screen CFS-2 (H=1500mm)	£262	02346	£262	02346
Grips CCG-2	£46	02356	£46	02356



FEATURES:

- C** Carronite
- P** Panel
- H** Hand Grips
- A** Accessible
- S** Water Saver

CAPACITY:

131 Litres

WHIRLPOOL:

N/A

KIT REF:

Standard - AK-01
Carronite - AK-01-C

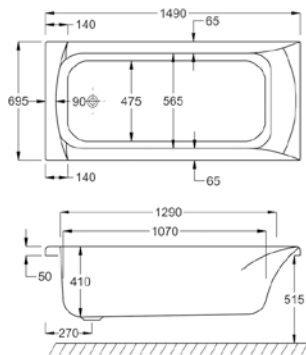
SIZES:

1500x700, 1600x700,
1650x700, 1700x700

Delta

Length. **1500mm** | Width. **700mm** | Height. **515mm**

	5mm	Code	Carronite	Code
Delta 1500	£445	02051	£716	02052
L-Shaped Panel (1500x700x515)	-	-	£368	02502
Front Panel (1500x515)	£130	02315	£188	02314
End Panel (700x515)	£104	02285	£137	02271
Screen CFS-1 (H=1400mm)	£262	02344	£262	02344
Screen CFS-2 (H=1500mm)	£262	02346	£262	02346
Grips CCG-1	£59	02357	£59	02357



FEATURES: **C** Carronite **P** Panel
H Hand Grips **W** Whirlpool

CAPACITY: 152 Litres

WHIRLPOOL: Systems ① ② ③ ④ ⑤ ⑥

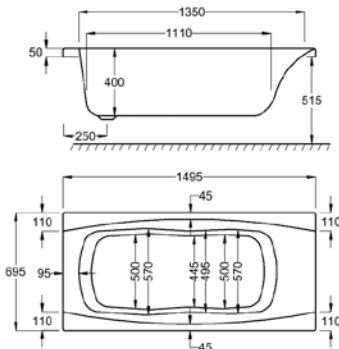
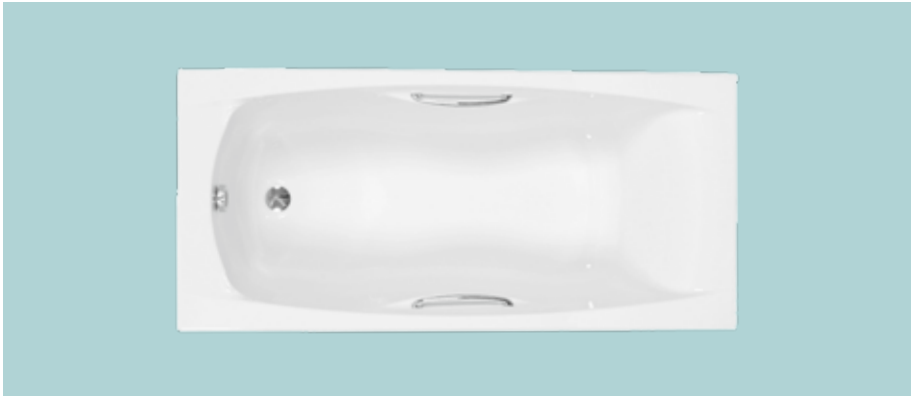
KIT REF: Standard - AK-01
 Carronite - AK-01-C

SIZES: 1400x700, 1500x700,
 1600x700, 1650x700,
 1675x700, 1700x700

Imperial TG

Length. **1500mm** | Width. **700mm** | Height. **515mm**

	5mm	Code	Carronite	Code
Imperial TG	£367	02108	£609	02109
L-Shaped Panel (1500x700x515)	-	-	£368	02502
Front Panel (1500x515)	£130	02315	£188	02314
End Panel (700x515)	£104	02285	£137	02271
Screen CFS-1 (H=1400mm)	£262	02344	£262	02344
Screen CFS-2 (H=1500mm)	£262	02346	£262	02346



FEATURES:

- C Carronite P Panel
H Hand Grips W Whirlpool

CAPACITY:

145 Litres

WHIRLPOOL:

Systems ① ② ③ ④ ⑤ ⑥

KIT REF:

Standard - AK-01
 Carronite - AK-01-C

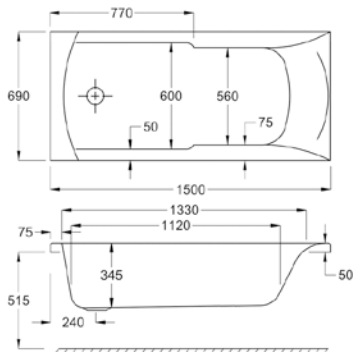
SIZES:

1400x700, 1500x700,
 1600x700, 1675x700,
 1700x700, 1800x750

Matrix

Length. **1500mm** | Width. **700mm** | Height. **515mm**

	5mm	Code	Carronite	Code
Matrix	£373	02122	£629	02123
L-Shaped Panel (1500x700x515)	-	-	£368	02502
Front Panel (1500x515)	£130	02315	£188	02314
End Panel (700x515)	£104	02285	£137	02271
Screen CFS-1 (H=1400mm)	£262	02344	£262	02344
Screen CFS-2 (H=1500mm)	£262	02346	£262	02346
Grips CCG-2	£46	02356	£46	02356



FEATURES: **C** Carronite **P** Panel
H Hand Grips
S Water Saver

CAPACITY: 131 Litres

WHIRLPOOL: N/A

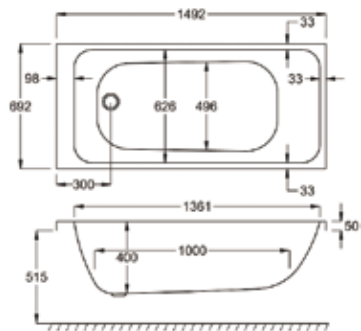
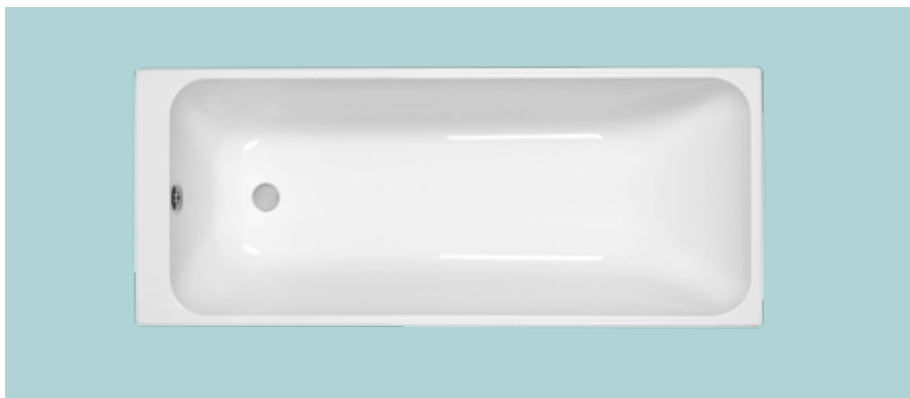
KIT REF: Standard - AK-02
 Carronite - AK-02-C

SIZES: 1500x700, 1600x700,
 1650x700, 1700x700

Profile SE

Length. **1500mm** | Width. **700mm** | Height. **515mm**

Profile	5mm	Code	Carronite	Code
Profile	£428	02418	£711	02419
L-Shaped Panel (1500x700x515)	-	-	£368	02502
Front Panel (1500x515)	£130	02315	£188	02314
End Panel (700x515)	£104	02285	£137	02271
Screen CFS-1 (H=1400mm)	£262	02344	£262	02344
Screen CFS-2 (H=1500mm)	£262	02346	£262	02346



FEATURES: **C** Carronite **P** Panel

CAPACITY: 190 Litres

WHIRLPOOL: N/A

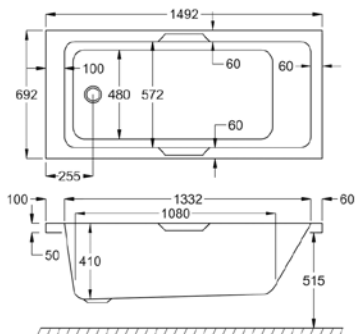
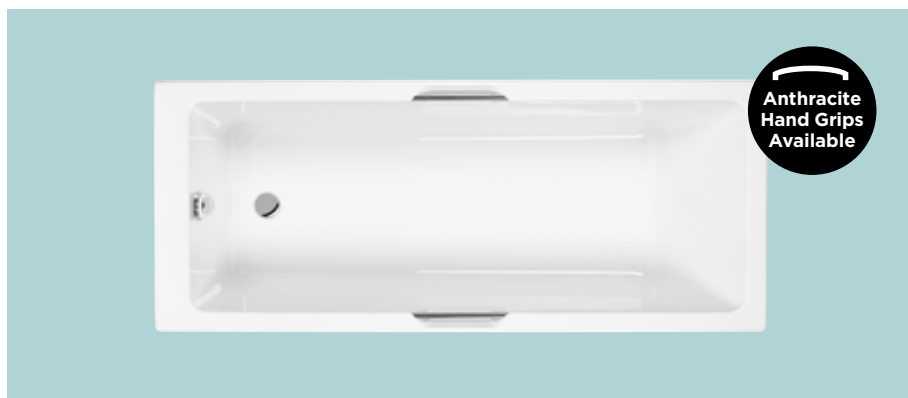
KIT REF: Standard – AK-01
Carronite – AK-01-C

SIZES: 1500x700, 1600x700,
1700x700, 1700x750,
1750x750, 1800x700

Quantum Integra

Length. **1500mm** | Width. **700mm** | Height. **515mm**

	5mm	Code	Carronite	Code
Quantum Integra	£428	02165	£673	02166
L-Shaped Panel (1500x700x515)	-	-	£368	02502
Front Panel (1500x515)	£130	02315	£188	02314
End Panel (700x515)	£104	02285	£137	02271
Screen CFS-1 (H=1400mm)	£262	02344	£262	02344
Screen CFS-2 (H=1500mm)	£262	02346	£262	02346
Anthracite Integra Hand Grips (additional cost)	+£60	02549	+£60	02549

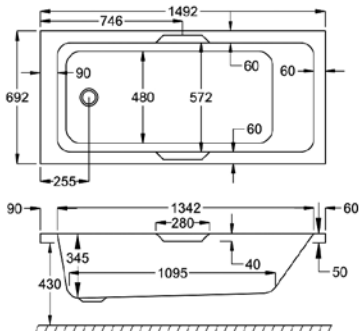


- FEATURES:** **C** Carronite **P** Panel
H Hand Grips **W** Whirlpool
- CAPACITY:** 198 Litres
- WHIRLPOOL:** Systems ① ④
- KIT REF:** Standard - AK-01
 Carronite - AK-01-C
- SIZES:** 1500x700, 1600x700,
 1650x700, 1700x700,
 1700x750, 1700x800,
 1750x750, 1800x800

Quantum Integra Eco 430

Length. **1500mm** | Width. **700mm** | Height. **430mm**

	5mm	Code	Carronite	Code
Quantum Integra Eco 430	£428	02447	£673	02448
L-Shaped Panel (1500x700x430)	-	-	£368	02499
Front Panel (1500x430)	£130	02252	£188	02253
End Panel (700x430)	£104	02258	£137	02259
Screen CFS-1 (H=1400mm)	£262	02344	£262	02344
Screen CFS-2 (H=1500mm)	£262	02346	£262	02346
Anthracite Integra Hand Grips (additional cost)	+£60	02549	+£60	02549



FEATURES:

- C** Carronite
- P** Panel
- H** Hand Grips
- A** Accessible
- S** Water Saver

CAPACITY:

152 Litres

WHIRLPOOL:

N/A

KIT REF:

Standard - AK-01
Carronite - AK-01-C

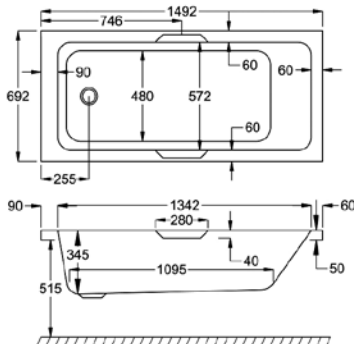
SIZES:

1500x700 (H=430),
1600x700 (H=430),
1700x700 (H=430)

Quantum Integra Eco 515

Length. **1500mm** | Width. **700mm** | Height. **515mm**

	5mm	Code	Carronite	Code
Quantum Integra Eco 515	£428	02447*	£673	02448*
L-Shaped Panel (1500x700x515)	-	-	£368	02502
Front Panel (1500x515)	£130	02315	£188	02314
End Panel (700x515)	£104	02285	£137	02271
Screen CFS-1 (H=1400mm)	£262	02344	£262	02344
Screen CFS-2 (H=1500mm)	£262	02346	£262	02346
Anthracite Integra Hand Grips (additional cost)	+£60	02549	+£60	02549



FEATURES: **C** Carronite **P** Panel
H Hand Grips
S Water Saver

CAPACITY: 152 Litres

WHIRLPOOL: N/A

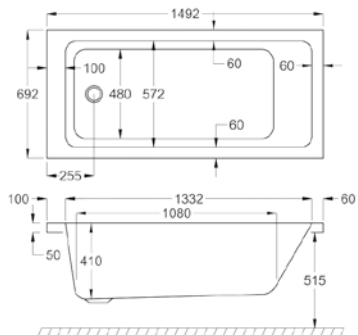
KIT REF: Standard - AK-02
 Carronite - AK-02-C

SIZES: 1500x700 (H=515),
 1600x700 (H=515),
 1700x700 (H=515)

Quantum SE

Length. **1500mm** | Width. **700mm** | Height. **515mm**

	5mm	Code	Carronite	Code
Quantum SE	£373	02141	£631	02142
L-Shaped Panel (1500x700x515)	-	-	£368	02502
Front Panel (1500x515)	£130	02315	£188	02314
End Panel (700x515)	£104	02285	£137	02271
Screen CFS-1 (H=1400mm)	£262	02344	£262	02344
Screen CFS-2 (H=1500mm)	£262	02346	£262	02346



FEATURES: **C** Carronite **P** Panel
W Whirlpool

CAPACITY: 198 Litres

WHIRLPOOL: Systems ① ④

KIT REF: Standard - AK-01
Carronite - AK-01-C

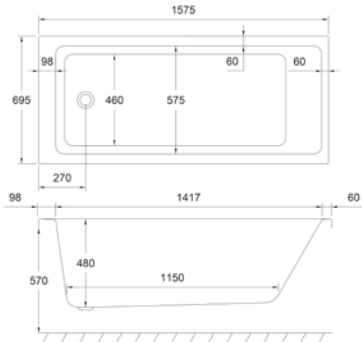
SIZES: 1500x700, 1575x700,
1600x700, 1600x800,
1650x700, 1700x700,
1700x750, 1700x800,
1700x900, 1800x725,
1800x800

Quantum SE Super Deep

Length. **1575mm** | Width. **700mm** | Height. **570mm**

	5mm	Code	Carronite	Code
Quantum SE	£507	02750	£740	02751
Screen CFS-1 (H=1400mm)	£262	02344	£262	02344
Screen CFS-2 (H=1500mm)	£262	02346	£262	02346

*Panels not currently available for this model.



FEATURES: **C** Carronite **W** Whirlpool

CAPACITY: 247 Litres

WHIRLPOOL: Systems ① ④

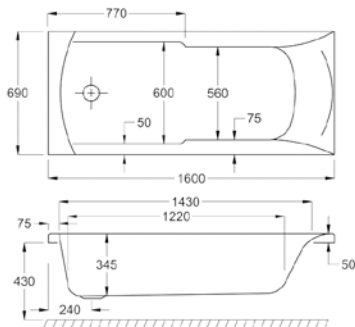
KIT REF: Standard - AK-11-C
Carronite - AK-11-C

SIZES: 1500x700, 1575x700, 1600x700, 1600x800, 1650x700, 1700x700, 1700x750, 1700x800, 1700x900, 1800x725, 1800x800

Axis

Length. **1600mm** | Width. **700mm** | Height. **430mm**

	5mm	Code	Carronite	Code
Axis	£373	02033	£629	02034
L-Shaped Panel (1600x700x430)	-	-	£368	02500
Front Panel (1600x430)	£130	02254	£188	02255
End Panel (700x430)	£104	02258	£137	02259
Screen CFS-1 (H=1400mm)	£262	02344	£262	02344
Screen CFS-2 (H=1500mm)	£262	02346	£262	02346
Grips CCG-2	£46	02356	£46	02356



FEATURES:

- C** Carronite
- P** Panel
- H** Hand Grips
- A** Accessible
- S** Water Saver

CAPACITY:

138 Litres

WHIRLPOOL:

N/A

KIT REF:

Standard - AK-01
Carronite - AK-01-C

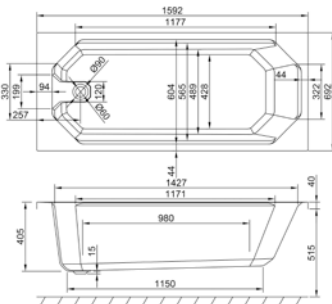
SIZES:

1500x700, 1600x700,
1650x700, 1700x700

Camden SE

Length. **1600mm** | Width. **700mm** | Height. **515mm**

	5mm	Code	Carronite	Code
Camden SE	£413	02555	£696	02556
L-Shaped Panel (1600x700x515)	-	-	£368	02503
Front Panel (1600x515)	£130	02316	£188	02317
End Panel (700x515)	£104	02285	£137	02271
Screen CFS-1 (H=1400mm)	£262	02344	£262	02344
Screen CFS-2 (H=1500mm)	£262	02346	£262	02346



FEATURES: **C** Carronite **P** Panel

CAPACITY: 192 Litres

WHIRLPOOL: N/A

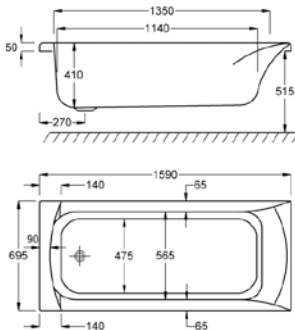
KIT REF: Standard - AK-01
Carronite - AK-01-C

SIZES: 1600x700, 1650x700,
1700x700

Delta

Length. **1600mm** | Width. **700mm** | Height. **515mm**

	5mm	Code	Carronite	Code
Delta	£445	02055	£716	02056
L-Shaped Panel (1600x700x515)	-	-	£368	02503
Front Panel (1600x515)	£130	02316	£188	02317
End Panel (700x515)	£104	02285	£137	02271
Screen CFS-1 (H=1400mm)	£262	02344	£262	02344
Screen CFS-2 (H=1500mm)	£262	02346	£262	02346
Grips CCG-1	£59	02357	£59	02357



FEATURES:

- C Carronite P Panel
H Hand Grips W Whirlpool

CAPACITY:

162 Litres

WHIRLPOOL:

Systems ① ② ③ ④ ⑤ ⑥

KIT REF:

Standard - AK-01
Carronite - AK-01-C

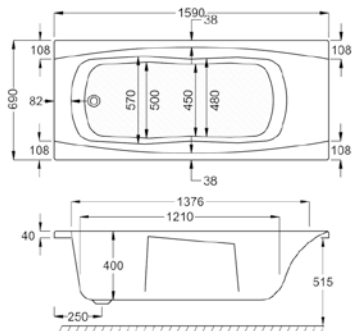
SIZES:

1400x700, 1500x700,
1600x700, 1650x700,
1675x700, 1700x700

Imperial TG

Length. **1600mm** | Width. **700mm** | Height. **515mm**

	5mm	Code	Carronite	Code
Imperial TG	£367	02110	£609	02111
L-Shaped Panel (1600x700x515)	-	-	£368	02503
Front Panel (1600x515)	£130	02316	£188	02317
End Panel (700x515)	£104	02285	£137	02271
Screen CFS-1 (H=1400mm)	£262	02344	£262	02344
Screen CFS-2 (H=1500mm)	£262	02346	£262	02346



FEATURES: **C** Carronite **P** Panel
H Hand Grips **W** Whirlpool

CAPACITY: 162 Litres

WHIRLPOOL: Systems ① ④

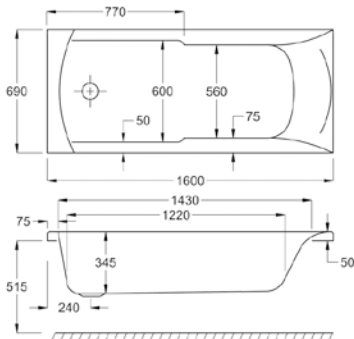
KIT REF: Standard - AK-01
 Carronite - AK-01-C

SIZES: 1400x700, 1500x700,
 1600x700, 1675x700,
 1700x700, 1800x750

Matrix

Length. **1600mm** | Width. **700mm** | Height. **515mm**

	5mm	Code	Carronite	Code
Matrix	£373	02124	£629	02125
L-Shaped Panel (1600x700x515)	-	-	£368	02503
Front Panel (1600x515)	£130	02316	£188	02317
End Panel (700x515)	£104	02285	£137	02271
Screen CFS-1 (H=1400mm)	£262	02344	£262	02344
Screen CFS-2 (H=1500mm)	£262	02346	£262	02346
Grips CCG-2	£46	02356	£46	02356



FEATURES: **C** Carronite **P** Panel
H Hand Grips
S Water Saver

CAPACITY: 138 Litres

WHIRLPOOL: N/A

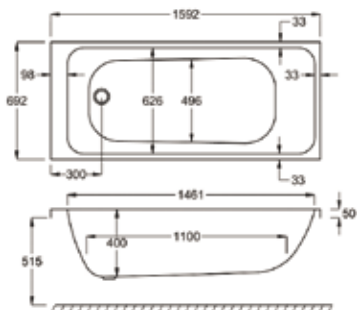
KIT REF: Standard - AK-02
 Carronite - AK-02-C

SIZES: 1500x700, 1600x700,
 1650x700, 1700x700

Profile SE

Length. **1600mm** | Width. **700mm** | Height. **515mm**

	5mm	Code	Carronite	Code
Profile SE	£428	02420	£711	02421
L-Shaped Panel (1600x700x515)	-	-	£368	02503
Front Panel (1600x515)	£130	02316	£188	02317
End Panel (700x515)	£104	02285	£137	02271
Screen CFS-1 (H=1400mm)	£262	02344	£262	02344
Screen CFS-2 (H=1500mm)	£262	02346	£262	02346



FEATURES: **C** Carronite **P** Panel

CAPACITY: 204 Litres

WHIRLPOOL: N/A

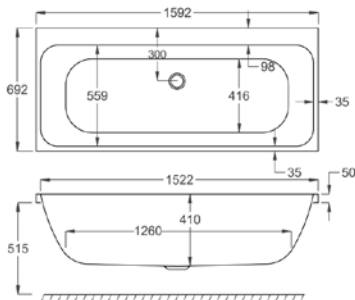
KIT REF: Standard - AK-01
Carronite - AK-01-C

SIZES: 1500x700, 1600x700,
1700x700, 1700x750,
1750x750, 1800x700

Profile DE

Length. **1600mm** | Width. **700mm** | Height. **515mm**

	5mm	Code	Carronite	Code
Profile DE	£428	02199	£711	02200
L-Shaped Panel (1600x700x515)	-	-	£368	02503
Front Panel (1600x515)	£130	02316	£188	02317
End Panel (700x515)	£104	02285	£137	02271
Screen CFS-1 (H=1400mm)	£262	02344	£262	02344
Screen CFS-2 (H=1500mm)	£262	02346	£262	02346



FEATURES: **C** Carronite **P** Panel

CAPACITY: 188 Litres

WHIRLPOOL: N/A

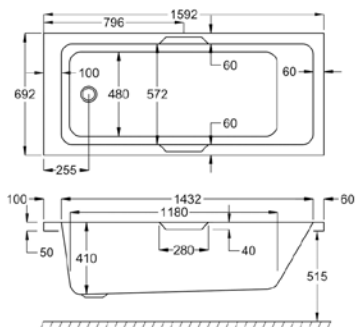
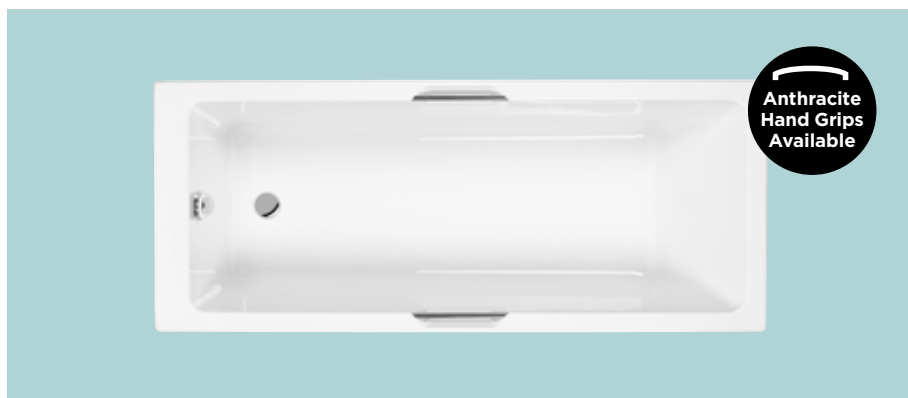
KIT REF: Standard – AK-01
Carronite – AK-01-C

SIZES: 1600x700, 1600x800,
1650x700, 1700x700,
1700x750, 1750x750,
1800x700

Quantum Integra

Length. **1600mm** | Width. **700mm** | Height. **515mm**

	5mm	Code	Carronite	Code
Quantum Integra	£428	02167	£673	02168
L-Shaped Panel (1600x700x515)	-	-	£368	02503
Front Panel (1600x515)	£130	02316	£188	02317
End Panel (700x515)	£104	02285	£137	02271
Screen CFS-1 (H=1400mm)	£262	02344	£262	02344
Screen CFS-2 (H=1500mm)	£262	02346	£262	02346
Anthracite Integra Hand Grips (additional cost)	+£60	02549	+£60	02549

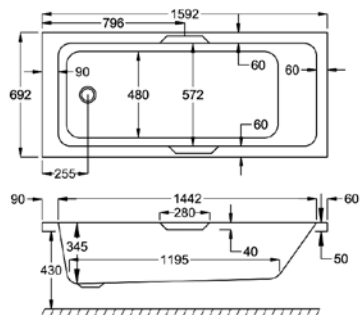


- FEATURES:** **C** Carronite **P** Panel
H Hand Grips **W** Whirlpool
- CAPACITY:** 213 Litres
- WHIRLPOOL:** Systems ① ④
- KIT REF:** Standard - AK-01
 Carronite - AK-01-C
- SIZES:** 1500x700, 1600x700,
 1650x700, 1700x700,
 1700x750, 1700x800,
 1750x750, 1800x800

Quantum Integra Eco 430

Length. **1600mm** | Width. **700mm** | Height. **430mm**

	5mm	Code	Carronite	Code
Quantum Integra Eco 430	£428	02449	£673	02450
L-Shaped Panel (1600x700x430)	-	-	£368	02500
Front Panel (1600x430)	£130	02254	£188	02255
End Panel (700x430)	£104	02258	£137	02259
Screen CFS-1 (H=1400mm)	£262	02344	£262	02344
Screen CFS-2 (H=1500mm)	£262	02346	£262	02346
Anthracite Integra Hand Grips (additional cost)	+£60	02549	+£60	02549



FEATURES:

- C** Carronite
- P** Panel
- H** Hand Grips
- A** Accessible
- S** Water Saver

CAPACITY:

165 Litres

WHIRLPOOL:

N/A

KIT REF:

Standard - AK-01
Carronite - AK-01-C

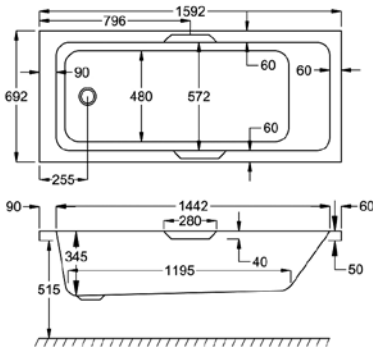
SIZES:

1500x700 (H=430),
1600x700 (H=430),
1700x700 (H=430)

Quantum Integra Eco 515

Length. **1600mm** | Width. **700mm** | Height. **515mm**

	5mm	Code	Carronite	Code
Quantum Integra Eco 515	£428	02449*	£673	02450*
L-Shaped Panel (1600x700x515)	-	-	£368	02503
Front Panel (1600x515)	£130	02316	£188	02317
End Panel (700x515)	£104	02285	£137	02271
Screen CFS-1 (H=1400mm)	£262	02344	£262	02344
Screen CFS-2 (H=1500mm)	£262	02346	£262	02346
Anthracite Integra Hand Grips (additional cost)	+£60	02549	+£60	02549



- FEATURES:**
- C** Carronite
 - P** Panel
 - H** Hand Grips
 - S** Water Saver

CAPACITY: 165 Litres

WHIRLPOOL: N/A

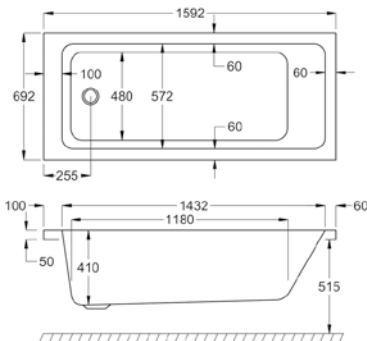
KIT REF: Standard - AK-02
Carronite - AK-02-C

SIZES: 1500x700 (H=515),
1600x700 (H=515),
1700x700 (H=515)

Quantum SE

Length. **1600mm** | Width. **700mm** | Height. **515mm**

	5mm	Code	Carronite	Code
Quantum SE	£373	02143	£631	02144
L-Shaped Panel (1600x700x515)	-	-	£368	02503
Front Panel (1600x515)	£130	02316	£188	02317
End Panel (700x515)	£104	02285	£137	02271
Screen CFS-1 (H=1400mm)	£262	02344	£262	02344
Screen CFS-2 (H=1500mm)	£262	02346	£262	02346



FEATURES: **C** Carronite **P** Panel
W Whirlpool

CAPACITY: 213 Litres

WHIRLPOOL: Systems ① ④

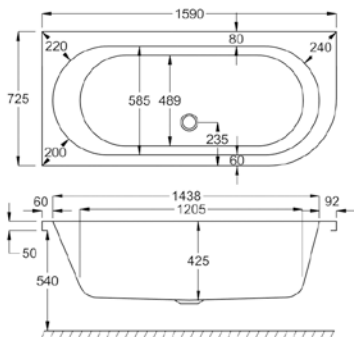
KIT REF: Standard - AK-01
Carronite - AK-01-C

SIZES: 1500x700, 1575x700,
1600x700, 1600x800,
1650x700, 1700x700,
1700x750, 1700x800,
1700x900, 1800x725,
1800x800

Status

Length. **1600mm** | Width. **725mm** | Height. **540mm**

	5mm	Code	Carronite	Code
Status (LH)	£579	02209	£932	02210
Status (RH)	£579	02211	£932	02212
Status Front Panel 1600	£260	02334	£367	02335
Screen CFS-1 (H=1400mm)	£262	02344	£262	02344
Screen CFS-2 (H=1500mm)	£262	02346	£262	02346



FEATURES: **C** Carronite **P** Panel
W Whirlpool

CAPACITY: 197 Litres

WHIRLPOOL: Systems ① ④

KIT REF: Standard - AK-01
Carronite - AK-01-C

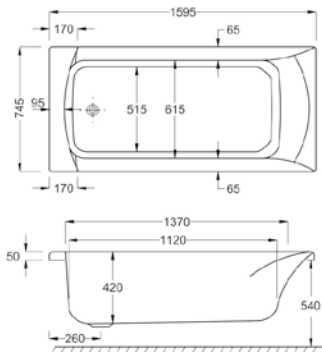
SIZES: 1600x725, 1700x725,
1700x800

Available in right or left hand. Right hand shown.
We recommend taps are fitted on the centre of the back ledge on this model.

Sigma

Length. **1600mm** | Width. **750mm** | Height. **540mm**

	5mm	Code	Carronite	Code
Sigma	£584	02442	£842	02454
Front Panel (1600x540)	£146	02281	£197	02267
End Panel (750x540)	£104	02289	£137	02275
Screen CFS-1 (H=1400mm)	£262	02344	£262	02344
Screen CFS-2 (H=1500mm)	£262	02346	£262	02346
Grips CCG-1	£59	02357	£59	02357



FEATURES: **C** Carronite **P** Panel
H Hand Grips **W** Whirlpool

CAPACITY: 175 Litres

WHIRLPOOL: Systems ① ② ③ ④ ⑤ ⑥

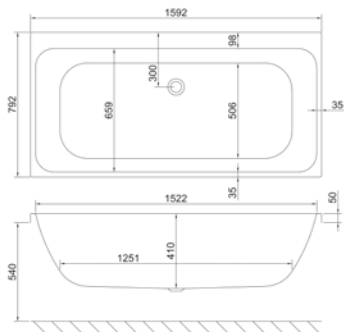
KIT REF: Standard - AK-01
Carronite - AK-01-C

SIZES: 1600x750, 1700x750,
1700x800, 1800x800,
1900x900

Profile DE

Length. **1600mm** | Width. **800mm** | Height. **540mm**

	5mm	Code	Carronite	Code
Profile DE	£528	02589	£826	02590
L-Shaped Panel (1600x800x540)	-	-	£368	02567
Front Panel (1600x540)	£146	02281	£197	02267
End Panel (800x540)	£104	02291	£137	02277
Screen CFS-1 (H=1400mm)	£262	02344	£262	02344
Screen CFS-2 (H=1500mm)	£262	02346	£262	02346



FEATURES: **C** Carronite **P** Panel

CAPACITY: 215 Litres

WHIRLPOOL: N/A

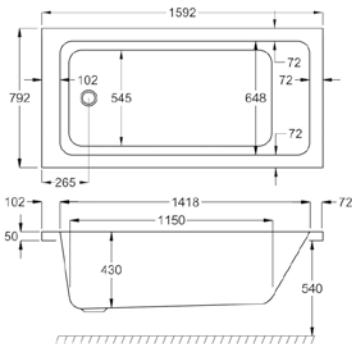
KIT REF: Standard - AK-03
Carronite - AK-03-C

SIZES: 1600x700, 1600x800,
1650x700, 1700x700,
1700x750, 1750x750,
1800x700

Quantum SE

Length. **1600mm** | Width. **800mm** | Height. **540mm**

	5mm	Code	Carronite	Code
Quantum SE	£507	02145	£740	02146
L-Shaped Panel (1600x800x540)	-	-	£368	02567
Front Panel (1600x540)	£146	02281	£197	02267
End Panel (800x540)	£104	02291	£137	02277
Screen CFS-1 (H=1400mm)	£262	02344	£262	02344
Screen CFS-2 (H=1500mm)	£262	02346	£262	02346



FEATURES: **C** Carronite **P** Panel
W Whirlpool

CAPACITY: 247 Litres

WHIRLPOOL: Systems ① ② ③ ④ ⑤ ⑥

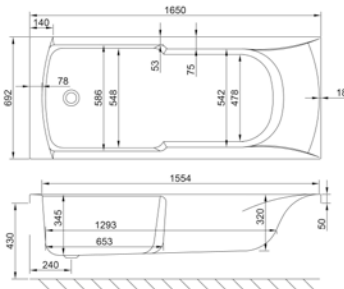
KIT REF: Standard - AK-03
Carronite - AK-03-C

SIZES: 1500x700, 1575x700,
1600x700, 1600x800,
1650x700, 1700x700,
1700x750, 1700x800,
1700x900, 1800x725,
1800x800

Axis

Length. **1650mm** | Width. **700mm** | Height. **430mm**

	5mm	Code	Carronite	Code
Axis	£373	02585	£629	02586
L-Shaped Panel (1650x700x430)	-	-	£368	02597
Front Panel (1650x430)	£130	02598	£188	02599
End Panel (700x430)	£104	02258	£137	02259
Screen CFS-1 (H=1400mm)	£262	02344	£262	02344
Screen CFS-2 (H=1500mm)	£262	02346	£262	02346
Grips CCG-2	£46	02356	£46	02356



FEATURES:

- C** Carronite
- P** Panel
- H** Hand Grips
- A** Accessible
- S** Water Saver

CAPACITY:

142 Litres

WHIRLPOOL:

N/A

KIT REF:

Standard - AK-01
Carronite - AK-01-C

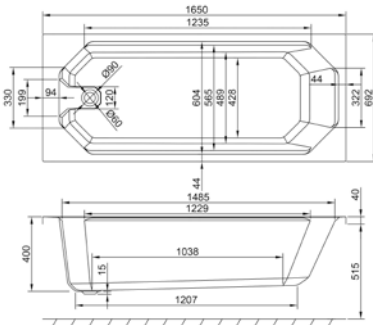
SIZES:

1500x700, 1600x700,
1650x700, 1700x700

Camden SE

Length. **1650mm** | Width. **700mm** | Height. **515mm**

	5mm	Code	Carronite	Code
Camden SE	£413	02557	£696	02558
L-Shaped Panel (1650x700x515)	-	-	£368	02531
Front Panel (1650x515)	£130	02282	£188	02268
End Panel (700x515)	£104	02285	£137	02271
Screen CFS-1 (H=1400mm)	£262	02344	£262	02344
Screen CFS-2 (H=1500mm)	£262	02346	£262	02346



FEATURES: **C** Carronite **P** Panel

CAPACITY: 200 Litres

WHIRLPOOL: N/A

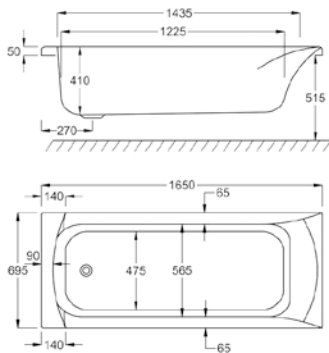
KIT REF: Standard – AK-01
Carronite – AK-01-C

SIZES: 1600x700, 1650x700,
1700x700

Delta

Length. **1650mm** | Width. **700mm** | Height. **515mm**

	5mm	Code	Carronite	Code
Delta	£445	02059	£716	02060
L-Shaped Panel (1650x700x515)	-	-	£368	02531
Front Panel (1650x515)	£130	02282	£188	02268
End Panel (700x515)	£104	02285	£137	02271
Screen CFS-1 (H=1400mm)	£262	02344	£262	02344
Screen CFS-2 (H=1500mm)	£262	02346	£262	02346
Grips CCG-1	£59	02357	£59	02357



FEATURES: **C** Carronite **P** Panel
H Hand Grips **W** Whirlpool

CAPACITY: 167 Litres

WHIRLPOOL: Systems ① ② ③ ④ ⑤ ⑥

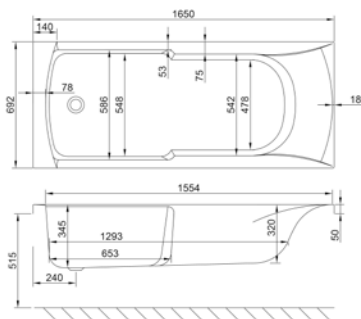
KIT REF: Standard - AK-01
 Carronite - AK-01-C

SIZES: 1400x700, 1500x700,
 1600x700, 1650x700,
 1675x700, 1700x700

Matrix

Length. **1650mm** | Width. **700mm** | Height. **515mm**

	5mm	Code	Carronite	Code
Matrix	£373	02587	£629	02588
L-Shaped Panel (1650x700x515)	-	-	£368	02531
Front Panel (1650x515)	£130	02282	£188	02268
End Panel (700x515)	£104	02285	£137	02271
Screen CFS-1 (H=1400mm)	£262	02344	£262	02344
Screen CFS-2 (H=1500mm)	£262	02346	£262	02346
Grips CCG-2	£46	02356	£46	02356



FEATURES: **C** Carronite **P** Panel
H Hand Grips
S Water Saver

CAPACITY: 142 Litres

WHIRLPOOL: N/A

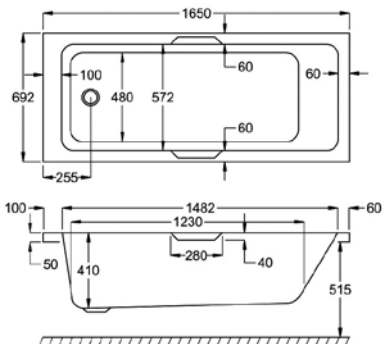
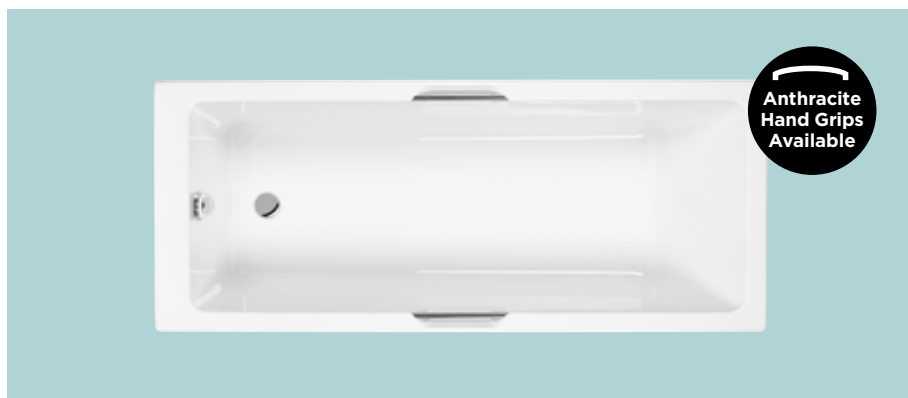
KIT REF: Standard - AK-02
 Carronite - AK-02-C

SIZES: 1500x700, 1600x700,
 1650x700, 1700x700

Quantum Integra

Length. **1650mm** | Width. **700mm** | Height. **515mm**

	5mm	Code	Carronite	Code
Quantum Integra	£428	02523	£673	02524
L-Shaped Panel (1650x700x515)	-	-	£368	02531
Front Panel (1650x515)	£130	02282	£188	02268
End Panel (700x515)	£104	02285	£137	02271
Screen CFS-1 (H=1400mm)	£262	02344	£262	02344
Screen CFS-2 (H=1500mm)	£262	02346	£262	02346
Anthracite Integra Hand Grips (additional cost)	+£60	02549	+£60	02549

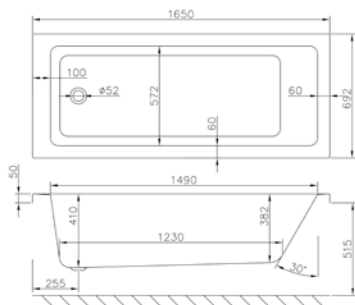


- FEATURES:** **C** Carronite **P** Panel
 H Hand Grips **W** Whirlpool
- CAPACITY:** 216 Litres
- WHIRLPOOL:** Systems ① ④
- KIT REF:** Standard - AK-01
 Carronite - AK-01-C
- SIZES:** 1500x700, 1600x700,
 1650x700, 1700x700,
 1700x750, 1700x800,
 1750x750, 1800x800

Quantum SE

Length. **1650mm** | Width. **700mm** | Height. **515mm**

	5mm	Code	Carronite	Code
Quantum SE	£373	02633	£631	02634
L-Shaped Panel (1650x700x515)	-	-	£368	02531
Front Panel (1650x515)	£130	02282	£188	02268
End Panel (700x515)	£104	02285	£137	02271
Screen CFS-1 (H=1400mm)	£262	02344	£262	02344
Screen CFS-2 (H=1500mm)	£262	02346	£262	02346



FEATURES: **C** Carronite **P** Panel
W Whirlpool

CAPACITY: 216 Litres

WHIRLPOOL: Systems ① ④

KIT REF: Standard - AK-01
Carronite - AK-01-C

SIZES: 1500x700, 1575x700,
1600x700, 1600x800,
1650x700, 1700x700,
1700x750, 1700x800,
1700x900, 1800x725,
1800x800



Q U A N T U M S E

The Timeless Choice

Our Quantum SE model is a perennial favourite for both our trade and consumer customers. This makes it the ideal choice for almost any bathroom installation.

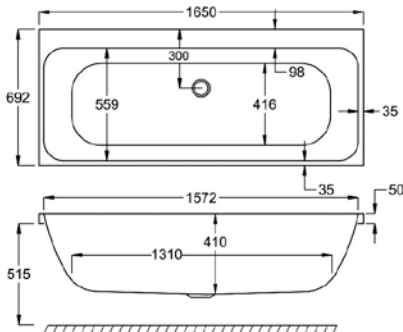
The Quantum SE comes in 11 different sizes (now including a 1650mm version) and has a modern style that allows it to work with a wide range of

sanitary ware. With so many options available, choosing a bath can be a tough decision for customers. You can safely remove that stress when you recommend the Quantum range. Shown here with a fresh, mint green backdrop, the Quantum is a winner wherever fit and flexibility are essential.

Profile DE

Length. **1650mm** | Width. **700mm** | Height. **515mm**

	5mm	Code	Carronite	Code
Profile DE	£428	02521	£711	02522
L-Shaped Panel (1650x700x515)	-	-	£368	02531
Front Panel (1650x515)	£130	02282	£188	02268
End Panel (700x515)	£104	02285	£137	02271
Screen CFS-1 (H=1400mm)	£262	02344	£262	02344
Screen CFS-2 (H=1500mm)	£262	02346	£262	02346



FEATURES: **C** Carronite **P** Panel

CAPACITY: 196 Litres

WHIRLPOOL: N/A

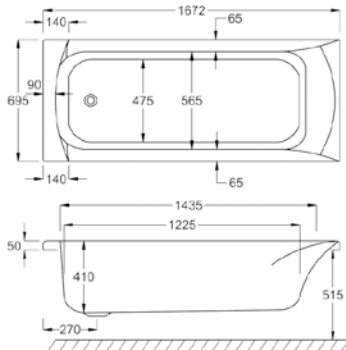
KIT REF: Standard – AK-01
Carronite – AK-01-C

SIZES: 1600x700, 1600x800,
1650x700, 1700x700,
1700x750, 1750x750,
1800x700

Delta

Length. **1675mm** | Width. **700mm** | Height. **515mm**

	5mm	Code	Carronite	Code
Delta	£445	02063	£716	02064
L-Shaped Panel (1675x700x515)	-	-	£368	02568
Front Panel (1675x515)	£130	02283	£188	02269
End Panel (700x515)	£104	02285	£137	02271
Screen CFS-1 (H=1400mm)	£262	02344	£262	02344
Screen CFS-2 (H=1500mm)	£262	02346	£262	02346
Grips CCG-1	£59	02357	£59	02357



FEATURES: **C** Carronite **P** Panel
H Hand Grips **W** Whirlpool

CAPACITY: 170 Litres

WHIRLPOOL: Systems ① ② ③ ④ ⑤ ⑥

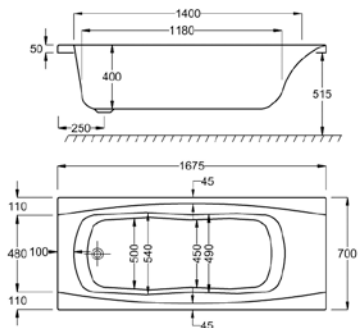
KIT REF: Standard - AK-01
 Carronite - AK-01-C

SIZES: 1400x700, 1500x700,
 1600x700, 1650x700,
 1675x700, 1700x700

Imperial TG

Length. **1675mm** | Width. **700mm** | Height. **515mm**

	5mm	Code	Carronite	Code
Imperial TG	£367	02112	£609	02113
L-Shaped Panel (1675x700x515)	-	-	£368	02568
Front Panel (1675x515)	£130	02283	£188	02269
End Panel (700x515)	£104	02285	£137	02271
Screen CFS-1 (H=1400mm)	£262	02344	£262	02344
Screen CFS-2 (H=1500mm)	£262	02346	£262	02346



FEATURES:

- C Carronite P Panel
H Hand Grips W Whirlpool

CAPACITY: 180 Litres

WHIRLPOOL: Systems ① ② ③ ④ ⑤ ⑥

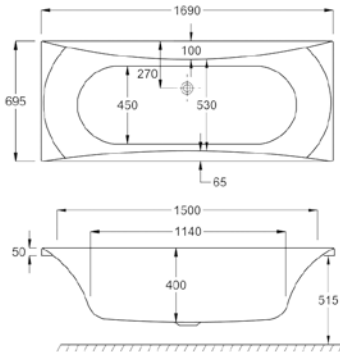
KIT REF: Standard - AK-01
Carronite - AK-01-C

SIZES: 1400x700, 1500x700,
1600x700, 1675x700,
1700x700, 1800x750

Alpha

Length. **1700mm** | Width. **700mm** | Height. **515mm**

	5mm	Code	Carronite	Code
Alpha	£431	02005	£648	02006
L-Shaped Panel (1700x700x515)	-	-	£368	02299
Front Panel (1700x515)	£130	02320	£188	02321
End Panel (700x515)	£104	02285	£137	02271



FEATURES: **C** Carronite **P** Panel
W Whirlpool

CAPACITY: 160 Litres

WHIRLPOOL: Systems ① ② ③ ④ ⑤ ⑥

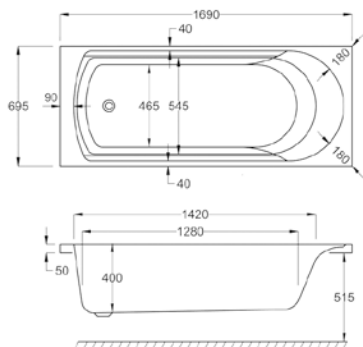
KIT REF: Standard - AK-01
Carronite - AK-01-C

SIZES: 1700x700, 1700x750,
1800x800

Arc SE

Length. **1700mm** | Width. **700mm** | Height. **515mm**

	5mm	Code	Carronite	Code
Arc SE	£351	02013	£602	02014
L-Shaped Panel (1700x700x515)	-	-	£368	02299
Front Panel (1700x515)	£130	02320	£188	02321
End Panel (700x515)	£104	02285	£137	02271
Screen CFS-1 (H=1400mm)	£262	02344	£262	02344
Screen CFS-2 (H=1500mm)	£262	02346	£262	02346
Grips CCG-2	£46	02356	£46	02356



FEATURES:

- C Carronite P Panel
H Hand Grips W Whirlpool

CAPACITY: 172 Litres

WHIRLPOOL: Systems ① ② ③ ④ ⑤ ⑥

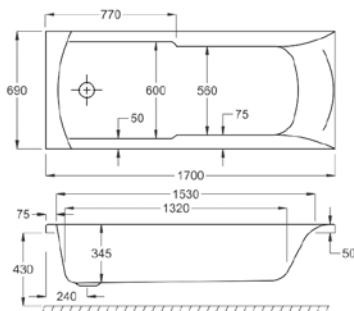
KIT REF: Standard - AK-01
Carronite - AK-01-C

SIZES: 1500x700, 1700x700,
1700x750

Axis

Length. **1700mm** | Width. **700mm** | Height. **430mm**

	5mm	Code	Carronite	Code
Axis	£373	02037	£629	02038
L-Shaped Panel (1700x700x430)	-	-	£368	02501
Front Panel (1700x430)	£130	02256	£188	02257
End Panel (700x430)	£104	02258	£137	02259
Screen CFS-1 (H=1400mm)	£262	02344	£262	02344
Screen CFS-2 (H=1500mm)	£262	02346	£262	02346
Grips CCG-2	£46	02356	£46	02356

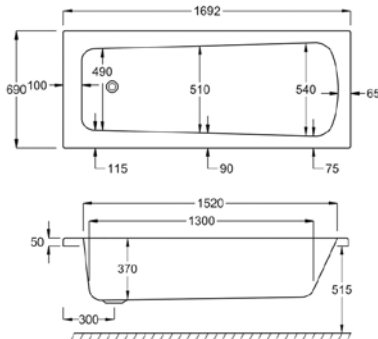


FEATURES:	C Carronite	P Panel
	H Hand Grips	A Accessible
	S Water Saver	
CAPACITY:	145 Litres	
WHIRLPOOL:	N/A	
KIT REF:	Standard - AK-01 Carronite - AK-01-C	
SIZES:	1500x700, 1600x700, 1650x700, 1700x700	

Britannia

Length. **1700mm** | Width. **700mm** | Height. **515mm**

	5mm	Code	Carronite	Code
Britannia	£356	02043	£529	02044
L-Shaped Panel (1700x700x515)	-	-	£368	02299
Front Panel (1700x515)	£130	02320	£188	02321
End Panel (700x515)	£104	02285	£137	02271
Screen CFS-1 (H=1400mm)	£262	02344	£262	02344
Screen CFS-2 (H=1500mm)	£262	02346	£262	02346



FEATURES: **C** Carronite **P** Panel

CAPACITY: 155 Litres

WHIRLPOOL: N/A

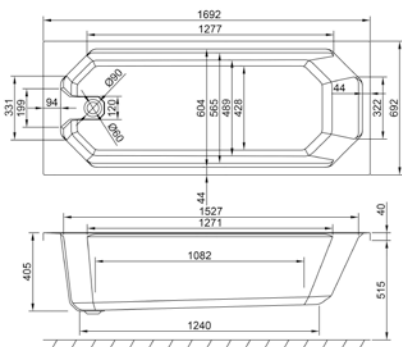
KIT REF: Standard - AK-02
Carronite - AK-02-C

SIZES: 1700x700, 1700x750,
1800x800

Camden SE

Length. **1700mm** | Width. **700mm** | Height. **515mm**

	5mm	Code	Carronite	Code
Camden SE	£413	02559	£696	02560
L-Shaped Panel (1700x700x515)	-	-	£368	02299
Front Panel (1700x515)	£130	02320	£188	02321
End Panel (700x515)	£104	02285	£137	02271
Screen CFS-1 (H=1400mm)	£262	02344	£262	02344
Screen CFS-2 (H=1500mm)	£262	02346	£262	02346



FEATURES: **C** Carronite **P** Panel

CAPACITY: 209 Litres

WHIRLPOOL: N/A

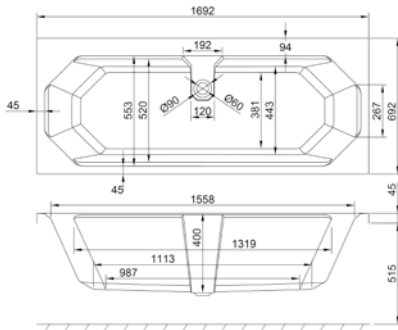
KIT REF: Standard - AK-01
Carronite - AK-01-C

SIZES: 1600x700, 1650x700,
1700x700

Camden DE

Length. **1700mm** | Width. **700mm** | Height. **515mm**

	5mm	Code	Carronite	Code
Camden DE	£413	02609	£696	02610
L-Shaped Panel (1700x700x515)	-	-	£368	02299
Front Panel (1700x515)	£130	02320	£188	02321
End Panel (700x515)	£104	02285	£137	02271
Screen CFS-1 (H=1400mm)	£262	02344	£262	02344
Screen CFS-2 (H=1500mm)	£262	02346	£262	02346



FEATURES: **C** Carronite **P** Panel

CAPACITY: 190 Litres

WHIRLPOOL: N/A

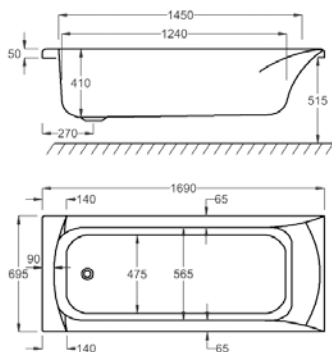
KIT REF: Standard – AK-01
Carronite – AK-01-C

SIZES: 1700x700, 1700x750,
1750x750

Delta

Length. **1700mm** | Width. **700mm** | Height. **515mm**

	5mm	Code	Carronite	Code
Delta	£445	02067	£716	02068
L-Shaped Panel (1700x700x515)	-	-	£368	02299
Front Panel (1700x515)	£130	02320	£188	02321
End Panel (700x515)	£104	02285	£137	02271
Screen CFS-1 (H=1400mm)	£262	02344	£262	02344
Screen CFS-2 (H=1500mm)	£262	02346	£262	02346
Grips CCG-1	£59	02357	£59	02357



FEATURES: **C** Carronite **P** Panel
H Hand Grips **W** Whirlpool

CAPACITY: 170 Litres

WHIRLPOOL: Systems ① ② ③ ④ ⑤ ⑥

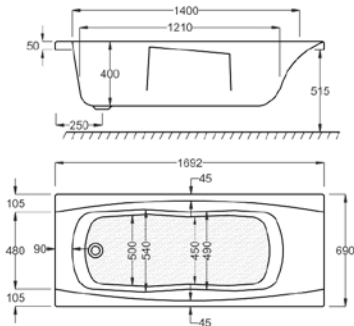
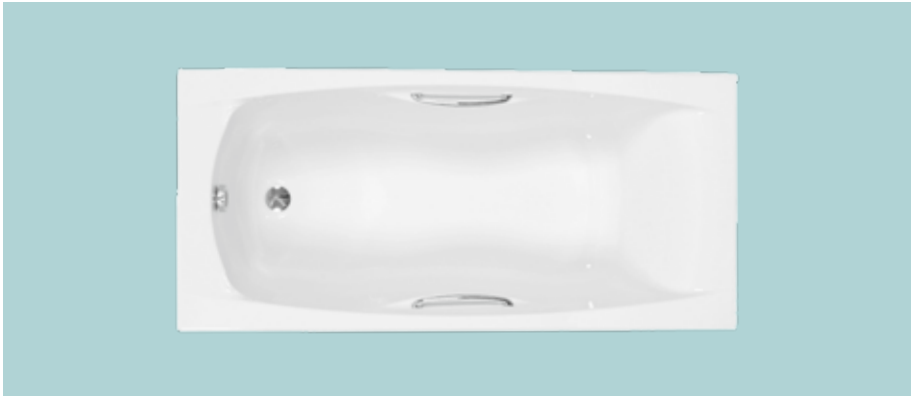
KIT REF: Standard - AK-01
 Carronite - AK-01-C

SIZES: 1400x700, 1500x700,
 1600x700, 1650x700,
 1675x700, 1700x700

Imperial TG

Length. **1700mm** | Width. **700mm** | Height. **515mm**

	5mm	Code	Carronite	Code
Imperial TG	£367	02114	£609	02115
L-Shaped Panel (1700x700x515)	-	-	£368	02299
Front Panel (1700x515)	£130	02320	£188	02321
End Panel (700x515)	£104	02285	£137	02271
Screen CFS-1 (H=1400mm)	£262	02344	£262	02344
Screen CFS-2 (H=1500mm)	£262	02346	£262	02346



FEATURES:

- C Carronite
 P Panel
H Hand Grips
 W Whirlpool

CAPACITY: 180 Litres

WHIRLPOOL: Systems ① ② ③ ④ ⑤ ⑥

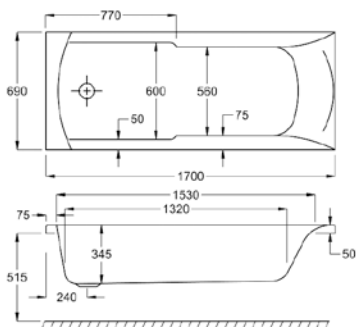
KIT REF: Standard - AK-01
Carronite - AK-01-C

SIZES: 1400x700, 1500x700,
1600x700, 1675x700,
1700x700, 1800x750

Matrix

Length. **1700mm** | Width. **700mm** | Height. **515mm**

	5mm	Code	Carronite	Code
Matrix	£373	02126	£629	02127
L-Shaped Panel (1700x700x515)	-	-	£368	02299
Front Panel (1700x515)	£130	02320	£188	02321
End Panel (700x515)	£104	02285	£137	02271
Screen CFS-1 (H=1400mm)	£262	02344	£262	02344
Screen CFS-2 (H=1500mm)	£262	02346	£262	02346
Grips CCG-2	£46	02356	£46	02356



- FEATURES:**
- C** Carronite
 - P** Panel
 - H** Hand Grips
 - S** Water Saver

CAPACITY: 145 Litres

WHIRLPOOL: N/A

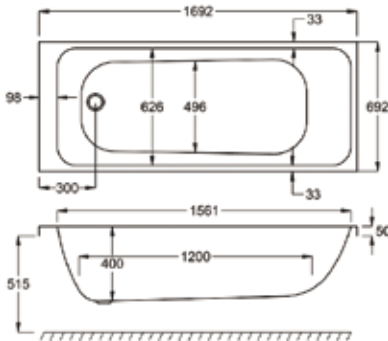
KIT REF: Standard - AK-02
Carronite - AK-02-C

SIZES: 1500x700, 1600x700,
1650x700, 1700x700

Profile SE

Length. **1700mm** | Width. **700mm** | Height. **515mm**

	5mm	Code	Carronite	Code
Profile SE	£428	02422	£711	02423
L-Shaped Panel (1700x700x515)	-	-	£368	02299
Front Panel (1700x515)	£130	02320	£188	02321
End Panel (700x515)	£104	02285	£137	02271
Screen CFS-1 (H=1400mm)	£262	02344	£262	02344
Screen CFS-2 (H=1500mm)	£262	02346	£262	02346



FEATURES: Carronite Panel

CAPACITY: 218 Litres

WHIRLPOOL: N/A

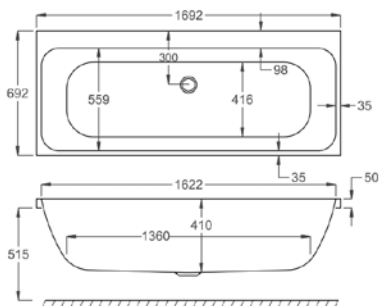
KIT REF: Standard – AK-01
Carronite – AK-01-C

SIZES: 1500x700, 1600x700,
1700x700, 1700x750,
1750x750, 1800x700

Profile DE

Length. **1700mm** | Width. **700mm** | Height. **515mm**

	5mm	Code	Carronite	Code
Profile DE	£428	02191	£711	02192
L-Shaped Panel (1700x700x515)	-	-	£368	02299
Front Panel (1700x515)	£130	02320	£188	02321
End Panel (700x515)	£104	02285	£137	02271
Screen CFS-1 (H=1400mm)	£262	02344	£262	02344
Screen CFS-2 (H=1500mm)	£262	02346	£262	02346



FEATURES: **C** Carronite **P** Panel

CAPACITY: 205 Litres

WHIRLPOOL: N/A

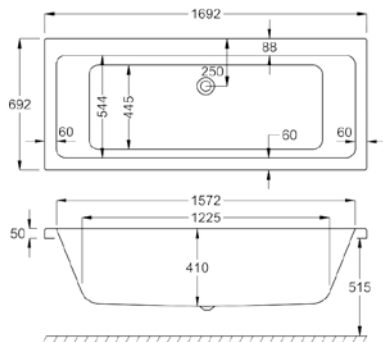
KIT REF: Standard - AK-01
Carronite - AK-01-C

SIZES: 1600x700, 1600x800,
1650x700, 1700x700,
1700x750, 1750x750,
1800x700

Quantum DE

Length. **1700mm** | Width. **700mm** | Height. **515mm**

	5mm	Code	Carronite	Code
Quantum DE	£373	02159	£631	02160
L-Shaped Panel (1700x700x515)	-	-	£368	02299
Front Panel (1700x515)	£130	02320	£188	02321
End Panel (700x515)	£104	02285	£137	02271
Screen CFS-1 (H=1400mm)	£262	02344	£262	02344
Screen CFS-2 (H=1500mm)	£262	02346	£262	02346



FEATURES: **C** Carronite **P** Panel
W Whirlpool

CAPACITY: 165 Litres

WHIRLPOOL: Systems ① ④

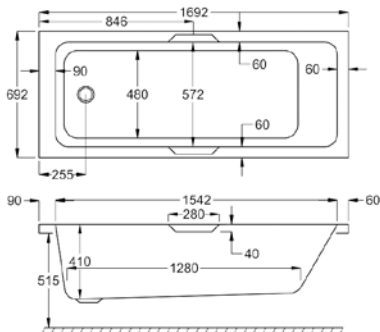
KIT REF: Standard - AK-01
Carronite - AK-01-C

SIZES: 1700x700, 1700x750,
1700x800, 1800x800,
1900x900

Quantum Integra

Length. **1700mm** | Width. **700mm** | Height. **515mm**

	5mm	Code	Carronite	Code
Quantum Integra	£428	02169	£673	02170
L-Shaped Panel (1700x700x515)	-	-	£368	02299
Front Panel (1700x515)	£130	02320	£188	02321
End Panel (700x515)	£104	02285	£137	02271
Screen CFS-1 (H=1400mm)	£262	02344	£262	02344
Screen CFS-2 (H=1500mm)	£262	02346	£262	02346
Anthracite Integra Hand Grips (additional cost)	+£60	02549	+£60	02549



FEATURES:

- C** Carronite
- P** Panel
- H** Hand Grips
- W** Whirlpool

CAPACITY: 228 Litres

WHIRLPOOL: Systems ① ④

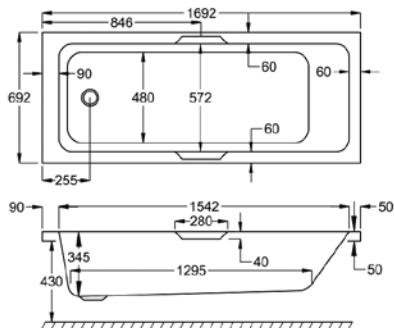
KIT REF: Standard - AK-01
Carronite - AK-01-C

SIZES: 1500x700, 1600x700,
1650x700, 1700x700,
1700x750, 1700x800,
1750x750, 1800x800

Quantum Integra Eco 430

Length. **1700mm** | Width. **700mm** | Height. **430mm**

	5mm	Code	Carronite	Code
Quantum Integra Eco 430	£428	02402	£673	02403
L-Shaped Panel (1700x700x430)	-	-	£368	02501
Front Panel (1700x430)	£130	02256	£188	02257
End Panel (700x430)	£104	02258	£137	02259
Screen CFS-1 (H=1400mm)	£262	02344	£262	02344
Screen CFS-2 (H=1500mm)	£262	02346	£262	02346
Anthracite Integra Hand Grips (additional cost)	+£60	02549	+£60	02549



FEATURES:

- C** Carronite
- P** Panel
- H** Hand Grips
- A** Accessible
- S** Water Saver

CAPACITY:

174 Litres

WHIRLPOOL:

N/A

KIT REF:

Standard - AK-01
Carronite - AK-01-C

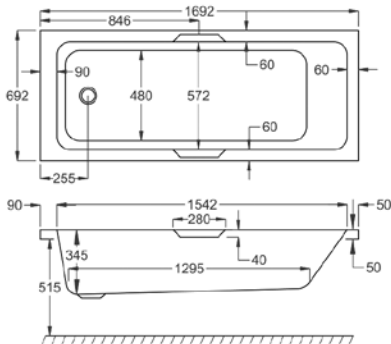
SIZES:

1500x700 (H=430),
1600x700 (H=430),
1700x700 (H=430)

Quantum Integra Eco 515

Length. **1700mm** | Width. **700mm** | Height. **515mm**

	5mm	Code	Carronite	Code
Quantum Integra Eco 515	£428	02402*	£673	02403*
L-Shaped Panel (1700x700x515)	-	-	£368	02299
Front Panel (1700x515)	£130	02320	£188	02321
End Panel (700x515)	£104	02285	£137	02271
Screen CFS-1 (H=1400mm)	£262	02344	£262	02344
Screen CFS-2 (H=1500mm)	£262	02346	£262	02346
Anthracite Integra Hand Grips (additional cost)	+£60	02549	+£60	02549



- FEATURES:**
- C** Carronite
 - P** Panel
 - H** Hand Grips
 - S** Water Saver

CAPACITY: 174 Litres

WHIRLPOOL: N/A

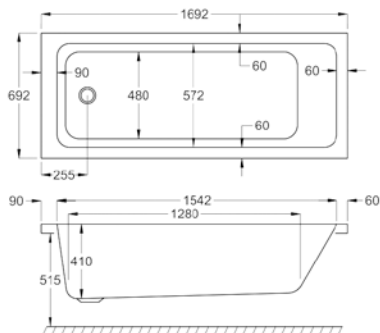
KIT REF: Standard - AK-02
Carronite - AK-02-C

SIZES: 1500x700 (H=515),
1600x700 (H=515),
1700x700 (H=515)

Quantum SE

Length. **1700mm** | Width. **700mm** | Height. **515mm**

	5mm	Code	Carronite	Code
Quantum SE	£373	02151	£631	02152
L-Shaped Panel (1700x700x515)	-	-	£368	02299
Front Panel (1700x515)	£130	02320	£188	02321
End Panel (700x515)	£104	02285	£137	02271
Screen CFS-1 (H=1400mm)	£262	02344	£262	02344
Screen CFS-2 (H=1500mm)	£262	02346	£262	02346



FEATURES: **C** Carronite **P** Panel
W Whirlpool

CAPACITY: 228 Litres

WHIRLPOOL: Systems ① ④

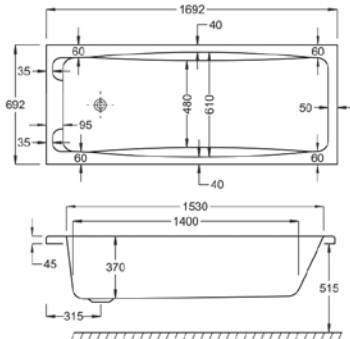
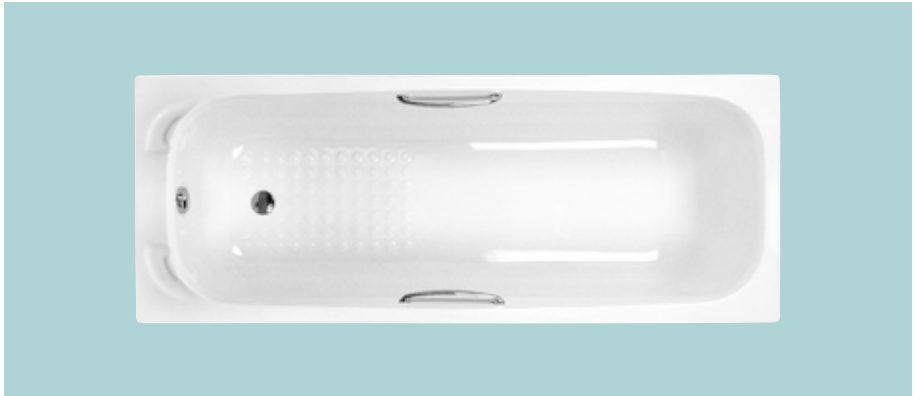
KIT REF: Standard - AK-01
Carronite - AK-01-C

SIZES: 1500x700, 1575x700,
1600x700, 1600x800,
1650x700, 1700x700,
1700x750, 1700x800,
1700x900, 1800x725,
1800x800

Swallow TG

Length. **1700mm** | Width. **700mm** | Height. **515mm**

	8mm	Code	5mm	Code	Carronite	Code
Swallow TG	£420	02223	£323	02221	£603	02222
L-Shaped Panel (1700x700x515)			-	-	£368	02299
Front Panel (1700x515)			£130	02320	£188	02321
End Panel (700x515)			£104	02285	£137	02271
Screen CFS-1 (H=1400mm)			£262	02344	£262	02344
Screen CFS-2 (H=1500mm)			£262	02346	£262	02346



FEATURES: **C** Carronite **P** Panel
H Hand Grips

CAPACITY: 182 Litres

WHIRLPOOL: N/A

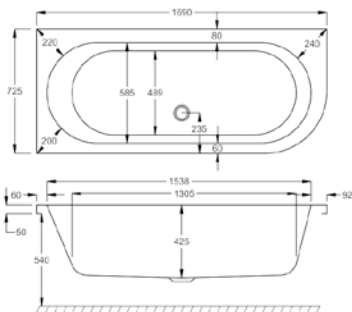
KIT REF: Standard - AK-02
Carronite - AK-02-C

SIZES: 1700x700, 1800x700

Status

Length. **1700mm** | Width. **725mm** | Height. **540mm**

	5mm	Code	Carronite	Code
Status (LH)	£579	02213	£932	02214
Status (RH)	£579	02215	£932	02216
Front Panel 725	£260	02336	£367	02337
Screen CFS-1 (H=1400mm)	£262	02344	£262	02344
Screen CFS-2 (H=1500mm)	£262	02346	£262	02346



FEATURES:

- C Carronite
 P Panel
W Whirlpool

CAPACITY: 205 Litres

WHIRLPOOL: Systems ① ④

KIT REF: Standard - AK-01
Carronite - AK-01-C

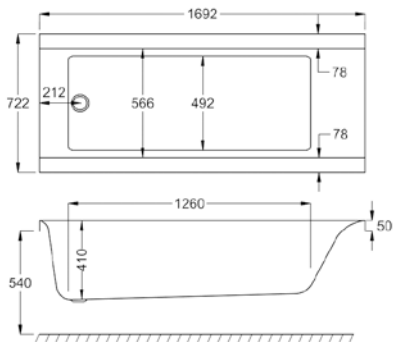
SIZES: 1600x725, 1700x725,
1700x800

Available in right or left hand. Right hand shown.
We recommend taps are fitted on the centre of the
back ledge on this model.

Urban

Length. **1700mm** | Width. **725mm** | Height. **540mm**

	5mm	Code	Carronite	Code
Urban	£438	02363	£660	02364
L-Shaped Panel (1700x725x540)	-	-	£368	02570
Front Panel (1700x540)	£146	02318	£197	02319
End Panel (725x540)	£104	02287	£137	02307
Screen CFS-1 (H=1400mm)	£262	02344	£262	02344
Screen CFS-2 (H=1500mm)	£262	02346	£262	02346



FEATURES: **C** Carronite **P** Panel
W Whirlpool

CAPACITY: 224 Litres

WHIRLPOOL: Systems ① ② ③ ④ ⑤ ⑥

KIT REF: Standard - AK-01
Carronite - AK-01-C

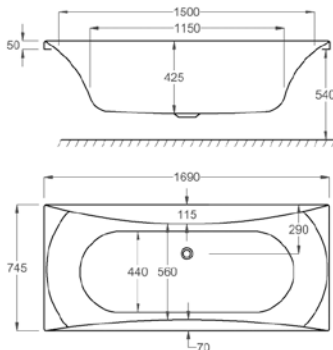
SIZES: 1700x725

The Urban Bath accommodates tap holes on side ledge only.

Alpha

Length. **1700mm** | Width. **750mm** | Height. **540mm**

	5mm	Code	Carronite	Code
Alpha	£516	02007	£753	02008
L-Shaped Panel (1700x750x540)	-	-	£368	02300
Front Panel (1700x540)	£146	02318	£197	02319
End Panel (750x540)	£104	02289	£137	02275


FEATURES:

C Carronite **P** Panel
W Whirlpool

CAPACITY: 175 Litres

WHIRLPOOL: Systems ① ② ③ ④ ⑤ ⑥

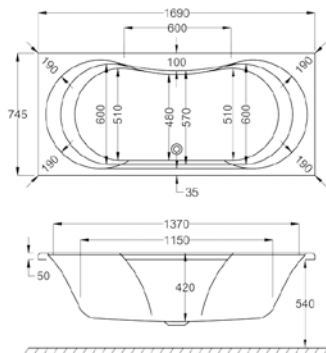
KIT REF: Standard - AK-01
 Carronite - AK-01-C

SIZES: 1700x700, 1700x750,
 1800x800

Arc DE

Length. **1700mm** | Width. **750mm** | Height. **540mm**

	5mm	Code	Carronite	Code
Arc DE	£450	02017	£694	02018
L-Shaped Panel (1700x750x540)	-	-	£368	02300
Front Panel (1700x540)	£146	02318	£197	02319
End Panel (750x540)	£104	02289	£137	02275



FEATURES: **C** Carronite **P** Panel
W Whirlpool

CAPACITY: 190 Litres

WHIRLPOOL: Systems ① ② ③ ④ ⑤ ⑥

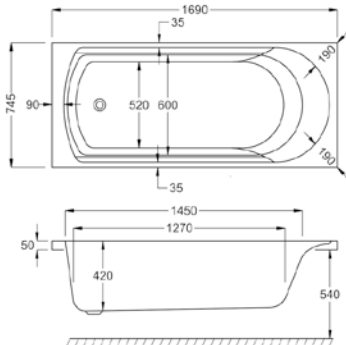
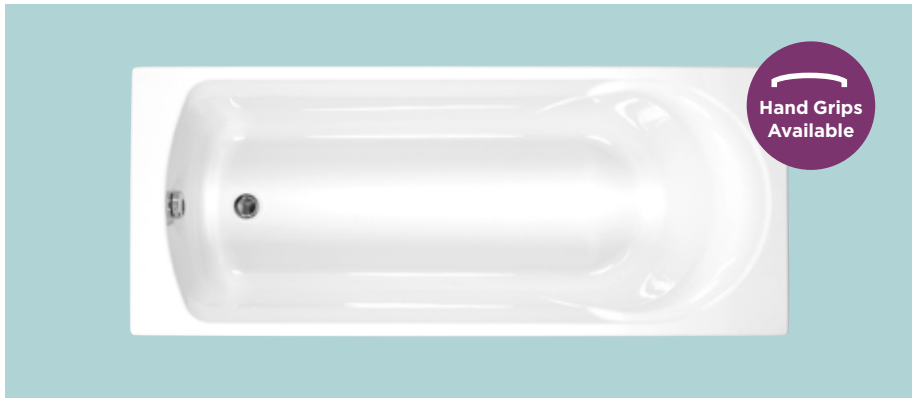
KIT REF: Standard - AK-01
Carronite - AK-01-C

SIZES: 1700x750, 1800x800

Arc SE

Length. **1700mm** | Width. **750mm** | Height. **540mm**

	5mm	Code	Carronite	Code
Arc SE	£450	02015	£694	02016
L-Shaped Panel (1700x750x540)	-	-	£368	02300
Front Panel (1700x540)	£146	02318	£197	02319
End Panel (750x540)	£104	02289	£137	02275
Screen CFS-1 (H=1400mm)	£262	02344	£262	02344
Screen CFS-2 (H=1500mm)	£262	02346	£262	02346
Grips CCG-2	£46	02356	£46	02356



FEATURES:

- C Carronite P Panel
H Hand Grips W Whirlpool

CAPACITY:

195 Litres

WHIRLPOOL:

Systems ① ② ③ ④ ⑤ ⑥

KIT REF:

Standard - AK-01
 Carronite - AK-01-C

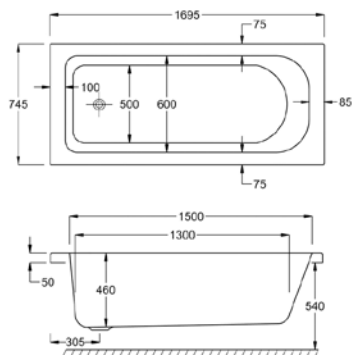
SIZES:

1500x700, 1700x700,
 1700x750

Britannia

Length. **1700mm** | Width. **750mm** | Height. **540mm**

	5mm	Code	Carronite	Code
Britannia	£601	02045	£804	02046
L-Shaped Panel (1700x750x540)	-	-	£368	02300
Front Panel (1700x540)	£146	02318	£197	02319
End Panel (750x540)	£104	02289	£137	02275



FEATURES: **C** Carronite **P** Panel
W Whirlpool

CAPACITY: 210 Litres

WHIRLPOOL: Systems ① ④

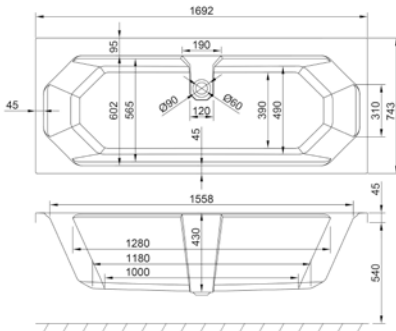
KIT REF: Standard - AK-11-C
Carronite - AK-11-C

SIZES: 1700x700, 1700x750,
1800x800

Camden DE

Length. **1700mm** | Width. **750mm** | Height. **540mm**

	5mm	Code	Carronite	Code
Camden DE	£513	02611	£811	02612
L-Shaped Panel (1700x750x540)	-	-	£368	02300
Front Panel (1700x540)	£146	02318	£197	02319
End Panel (750x540)	£104	02289	£137	02275
Screen CFS-1 (H=1400mm)	£262	02344	£262	02344
Screen CFS-2 (H=1500mm)	£262	02346	£262	02346



FEATURES: **C** Carronite **P** Panel

CAPACITY: 203 Litres

WHIRLPOOL: N/A

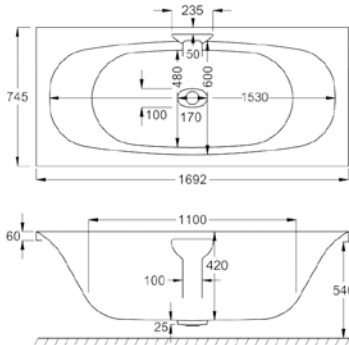
KIT REF: Standard – AK-01
Carronite – AK-01-C

SIZES: 1700x700, 1700x750,
1750x750

Echelon (includes filler)

Length. **1700mm** | Width. **750mm** | Height. **540mm**

	5mm	Code	Carronite	Code
Echelon (includes filler)	£996	02079	£1,264	02080
L-Shaped Panel (1700x750x540)	-	-	£368	02300
Front Panel (1700x540)	£146	02318	£197	02319
End Panel (750x540)	£104	02289	£137	02275



FEATURES: **C** Carronite **P** Panel

CAPACITY: 209 Litres

WHIRLPOOL: N/A

KIT REF: Standard - AK-01
Carronite - AK-01-C

SIZES: 1700x750, 1800x800

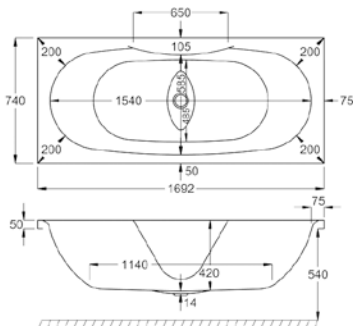
Also available in a Freestanding Bath option - see page 163 for more details.

*Min 1.5 bar pressure required.

Equation

Length. **1700mm** | Width. **750mm** | Height. **540mm**

	5mm	Code	Carronite	Code
Equation	£549	02090	£768	02091
L-Shaped Panel (1700x750x540)	-	-	£368	02300
Front Panel (1700x540)	£146	02318	£197	02319
End Panel (750x540)	£104	02289	£137	02275



FEATURES:

- C Carronite
 P Panel
W Whirlpool

CAPACITY: 205 Litres

WHIRLPOOL: Systems ① ② ③ ④ ⑤ ⑥

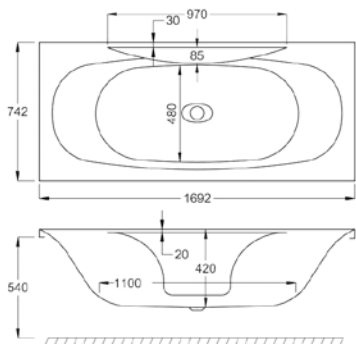
KIT REF: Standard - AK-01
Carronite - AK-01-C

SIZES: 1700x750, 1800x800

Equity

Length. **1700mm** | Width. **750mm** | Height. **540mm**

	5mm	Code	Carronite	Code
Equity	£689	02359	£1,000	02360
L-Shaped Panel (1700x750x540)	-	-	£368	02300
Front Panel (1700x540)	£146	02318	£197	02319
End Panel (750x540)	£104	02289	£137	02275



FEATURES: **C** Carronite **P** Panel
W Whirlpool

CAPACITY: 204 Litres

WHIRLPOOL: Systems ① ② ③ ④ ⑤ ⑥

KIT REF: Standard - AK-01
Carronite - AK-01-C

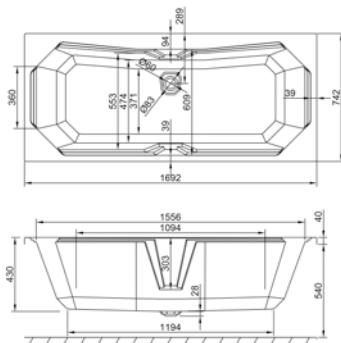
SIZES: 1700x750, 1800x800

Also available in a Freestanding Bath option - see page 163 for more details.

Highgate DE

Length. **1700mm** | Width. **750mm** | Height. **540mm**

	Carronite	Code
Highgate DE	£1,092	02536
Highgate L-Shaped Panel (1700x750x540)	£362	02545
Highgate Front Panel (1700x540)	£215	02543
Etched Screen Left Hand (LH)	£313	02583
Etched Screen Right Hand (RH)	£313	02584
Grips (single)	£58	02548



FEATURES: **C** Carronite **P** Panel
H Hand Grips

CAPACITY: 210 Litres

WHIRLPOOL: N/A

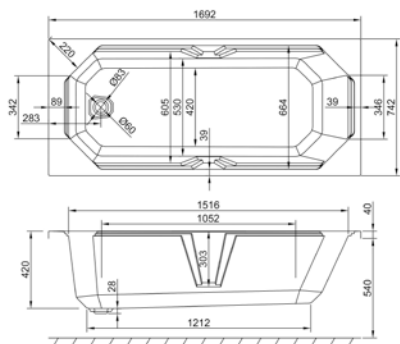
KIT REF: Carronite – AK-01-C

SIZES: 1700x750, 1800x800

Highgate SE

Length. **1700mm** | Width. **750mm** | Height. **540mm**

	Carronite	Code
Highgate SE (c/w pair grips)	£1,092	02535
Highgate L-Shaped Panel (1700x750x540)	£362	02545
Highgate Front Panel (1700x540)	£215	02543
Etched Screen Left Hand (LH)	£313	02583
Etched Screen Right Hand (RH)	£313	02584



FEATURES: **C** Carronite **P** Panel
H Hand Grips

CAPACITY: 216 Litres

WHIRLPOOL: N/A

KIT REF: Carronite - AK-01-C

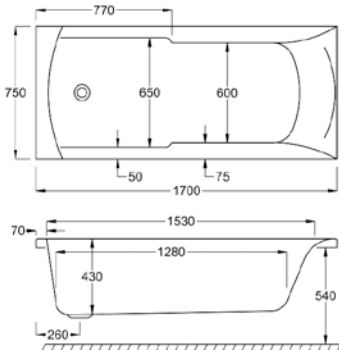
SIZES: 1700x750, 1800x800

* SE bath comes pre-drilled with grips.
Plain option is available as a special order.

Index

Length. **1700mm** | Width. **750mm** | Height. **540mm**

Index	5mm	Code	Carronite	Code
	£586	02118	£843	02119
L-Shaped Panel (1700x750x540)	-	-	£368	02300
Front Panel (1700x540)	£146	02318	£197	02319
End Panel (750x540)	£104	02289	£137	02275
Screen CFS-1 (H=1400mm)	£262	02344	£262	02344
Screen CFS-2 (H=1500mm)	£262	02346	£262	02346
Grips CCG-2	£46	02356	£46	02356



FEATURES: **C** Carronite **P** Panel
H Hand Grips

CAPACITY: 195 Litres

WHIRLPOOL: N/A

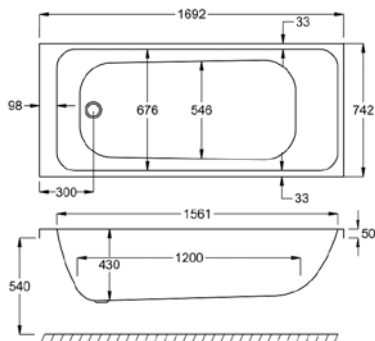
KIT REF: Standard - AK-01
Carronite - AK-01-C

SIZES: 1700x750

Profile SE

Length. **1700mm** | Width. **750mm** | Height. **540mm**

	5mm	Code	Carronite	Code
Profile SE	£528	02424	£826	02425
L-Shaped Panel (1700x750x540)	-	-	£368	02300
Front Panel (1700x540)	£146	02318	£197	02319
End Panel (750x540)	£104	02289	£137	02275
Screen CFS-1 (H=1400mm)	£262	02344	£262	02344
Screen CFS-2 (H=1500mm)	£262	02346	£262	02346



FEATURES: **C** Carronite **P** Panel

CAPACITY: 257 Litres

WHIRLPOOL: N/A

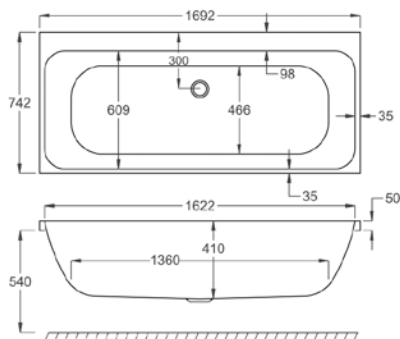
KIT REF: Standard - AK-01
Carronite - AK-01-C

SIZES: 1500x700, 1600x700,
1700x700, 1700x750,
1750x750, 1800x700

Profile DE

Length. **1700mm** | Width. **750mm** | Height. **540mm**

	5mm	Code	Carronite	Code
Profile DE	£528	02195	£826	02196
L-Shaped Panel (1700x750x540)	-	-	£368	02300
Front Panel (1700x540)	£146	02318	£197	02319
End Panel (750x540)	£104	02289	£137	02275
Screen CFS-1 (H=1400mm)	£262	02344	£262	02344
Screen CFS-2 (H=1500mm)	£262	02346	£262	02346



FEATURES: **C** Carronite **P** Panel

CAPACITY: 230 Litres

WHIRLPOOL: N/A

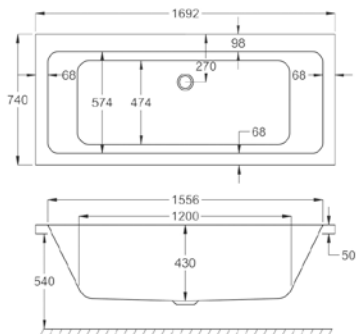
KIT REF: Standard – AK-01
Carronite – AK-01-C

SIZES: 1600x700, 1600x800,
1650x700, 1700x700,
1700x750, 1750x750,
1800x700

Quantum DE

Length. **1700mm** | Width. **750mm** | Height. **540mm**

	5mm	Code	Carronite	Code
Quantum DE	£458	02157	£713	02158
L-Shaped Panel (1700x750x540)	-	-	£368	02300
Front Panel (1700x540)	£146	02318	£197	02319
End Panel (750x540)	£104	02289	£137	02275
Screen CFS-1 (H=1400mm)	£262	02344	£262	02344
Screen CFS-2 (H=1500mm)	£262	02346	£262	02346



FEATURES: **C** Carronite **P** Panel
W Whirlpool

CAPACITY: 190 Litres

WHIRLPOOL: Systems ① ④

KIT REF: Standard - AK-01
Carronite - AK-01-C

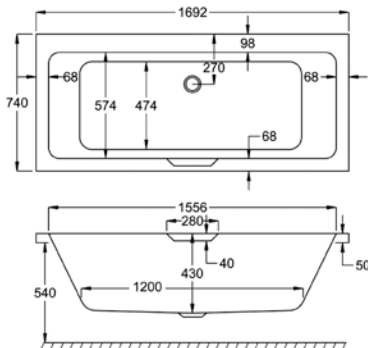
SIZES: 1700x700, 1700x750,
1700x800, 1800x800,
1900x900

Also available in a Freestanding Bath option - see page 163 for more details.

Quantum Integra DE

Length. **1700mm** | Width. **750mm** | Height. **540mm**

	5mm	Code	Carronite	Code
Quantum Integra DE	£523	02463	£766	02464
L-Shaped Panel (1700x750x540)	-	-	£368	02300
Front Panel (1700x540)	£146	02318	£197	02319
End Panel (750x540)	£104	02289	£137	02275
Screen CFS-1 (H=1400mm)	£262	02344	£262	02344
Screen CFS-2 (H=1500mm)	£262	02346	£262	02346
Anthracite Integra Hand Grips (additional cost)	+£60	02549	+£60	02549



FEATURES:

- C Carronite
 P Panel
H Hand Grips
 W Whirlpool

CAPACITY: 190 Litres

WHIRLPOOL: Systems ① ④

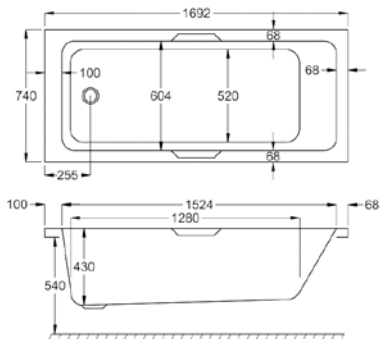
KIT REF: Standard - AK-01
Carronite - AK-01-C

SIZES: 1700x750

Quantum Integra

Length. **1700mm** | Width. **750mm** | Height. **540mm**

	5mm	Code	Carronite	Code
Quantum Integra	£523	02171	£766	02172
L-Shaped Panel (1700x750x540)	-	-	£368	02300
Front Panel (1700x540)	£146	02318	£197	02319
End Panel (750x540)	£104	02289	£137	02275
Screen CFS-1 (H=1400mm)	£262	02344	£262	02344
Screen CFS-2 (H=1500mm)	£262	02346	£262	02346
Anthracite Integra Hand Grips (additional cost)	+£60	02549	+£60	02549

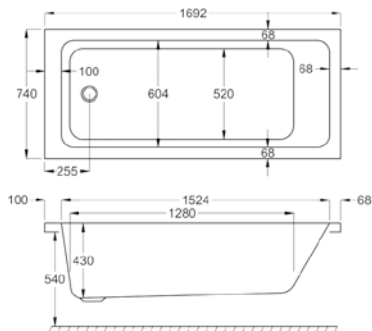


- FEATURES:** **C** Carronite **P** Panel
H Hand Grips **W** Whirlpool
- CAPACITY:** 240 Litres
- WHIRLPOOL:** Systems ① ② ③ ④ ⑤ ⑥
- KIT REF:** Standard - AK-01
 Carronite - AK-01-C
- SIZES:** 1500x700, 1600x700,
 1650x700, 1700x700,
 1700x750, 1700x800,
 1750x750, 1800x800

Quantum SE

Length. **1700mm** | Width. **750mm** | Height. **540mm**

	5mm	Code	Carronite	Code
Quantum SE	£458	02147	£713	02148
L-Shaped Panel (1700x750x540)	-	-	£368	02300
Front Panel (1700x540)	£146	02318	£197	02319
End Panel (750x540)	£104	02289	£137	02275
Screen CFS-1 (H=1400mm)	£262	02344	£262	02344
Screen CFS-2 (H=1500mm)	£262	02346	£262	02346



FEATURES: **C** Carronite **P** Panel
W Whirlpool

CAPACITY: 240 Litres

WHIRLPOOL: Systems ① ② ③ ④ ⑤ ⑥

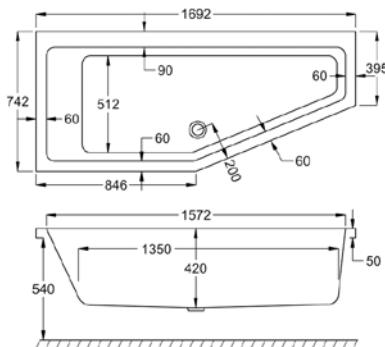
KIT REF: Standard - AK-01
Carronite - AK-01-C

SIZES: 1500x700, 1575x700,
1600x700, 1600x800,
1650x700, 1700x700,
1700x750, 1700x800,
1700x900, 1800x725,
1800x800

Quantum Spacesaver

Length. **1700mm** | Width. **750-400mm** | Height. **540mm**

	5mm	Code	Carronite	Code
Quantum Spacesaver (LH)	£527	02179	£764	02177
Quantum Spacesaver (RH)	£527	02180	£764	02178
Front Panel Space Saver	£192	02328	£367	02329
End Panel Space Saver	£89	02330	£123	02331
Screen QSS-2	£346	02347	£346	02347
Screen CFS-1 (H=1400mm)	£262	02344	£262	02344
Screen CFS-2 (H=1500mm)	£262	02346	£262	02346



FEATURES: **C** Carronite **P** Panel
W Whirlpool

CAPACITY: 211 Litres

WHIRLPOOL: Systems ① ④

KIT REF: Standard - AK-10
Carronite - AK-10-C

SIZES: 1700x750-400

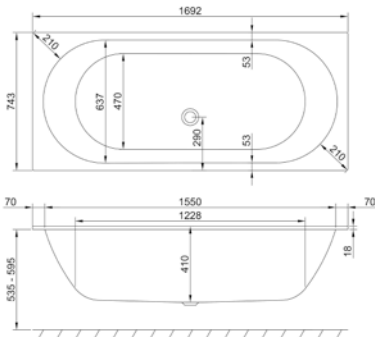
Left hand and right hand baths available.
Right hand bath shown.

QSS Hinged Screen recommended.

Sienna

Length. **1700mm** | Width. **750mm** | Height. **540mm**

	5mm	Code	Carronite	Code
Sienna (Gloss)	-	-	£1,049	02801
Sienna (Matt)	-	-	£1,154	02803



FEATURES: **C** Carronite **P** Panel

CAPACITY: 200 Litres

WHIRLPOOL: N/A

KIT REF: Standard – AK-01
Carronite – AK-01-C

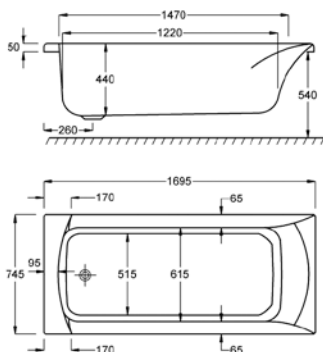
SIZES: 1700x750, 1800x800

Sienna must be installed in a plinth setting. No panel available. See pages 164-167 for more information.

Sigma

Length. **1700mm** | Width. **750mm** | Height. **540mm**

	5mm	Code	Carronite	Code
Sigma	£584	02189	£842	02190
L-Shaped Panel (1700x750x540)	-	-	£368	02300
Front Panel (1700x540)	£146	02318	£197	02319
End Panel (750x540)	£104	02289	£137	02275
Screen CFS-1 (H=1400mm)	£262	02344	£262	02344
Screen CFS-2 (H=1500mm)	£262	02346	£262	02346
Grips CCG-1	£59	02357	£59	02357



FEATURES: **C** Carronite **P** Panel
H Hand Grips **W** Whirlpool

CAPACITY: 195 Litres

WHIRLPOOL: Systems ① ② ③ ④ ⑤ ⑥

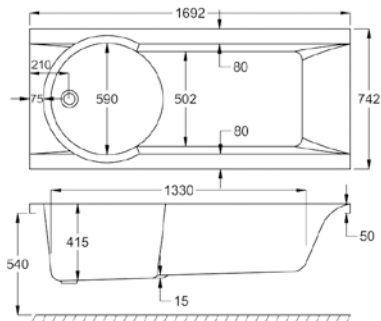
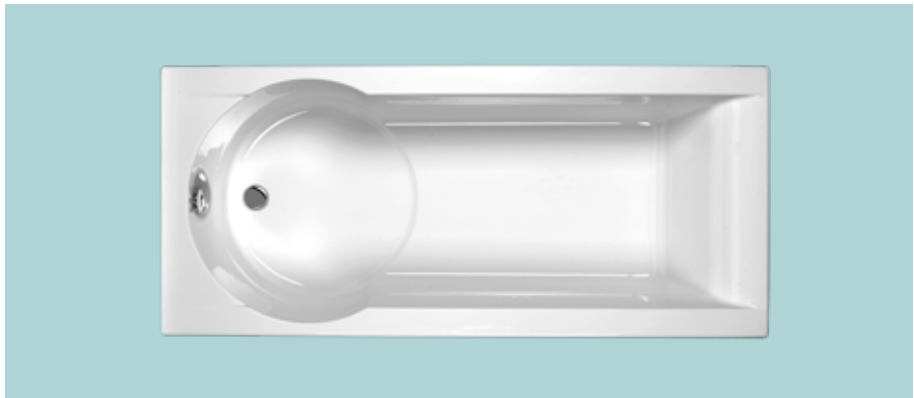
KIT REF: Standard - AK-01
Carronite - AK-01-C

SIZES: 1600x750, 1700x750,
1700x800, 1800x800,
1900x900

Zone

Length. **1700mm** | Width. **750mm** | Height. **540mm**

Zone	5mm	Code	Carronite	Code
Zone	£469	02622	£759	02623
L-Shaped Panel (1700x750x540)	-	-	£368	02300
Front Panel (1700x540)	£146	02318	£197	02319
End Panel (750x540)	£104	02289	£137	02275
Screen CFS-1 (H=1400mm)	£262	02344	£262	02344
Screen CFS-2 (H=1500mm)	£262	02346	£262	02346



FEATURES: **C** Carronite **P** Panel
W Whirlpool

CAPACITY: 224 Litres

WHIRLPOOL: Systems ① ④

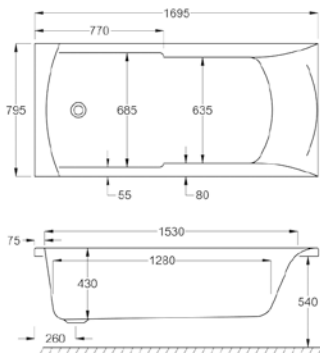
KIT REF: Standard - AK-01
Carronite - AK-01-C

SIZES: 1700x750, 1800x800

Apex

Length. **1700mm** | Width. **800mm** | Height. **540mm**

	5mm	Code	Carronite	Code
Apex	£640	02011	£984	02012
L-Shaped Panel (1700x800x540)	-	-	£368	02489
Front Panel (1700x540)	£146	02318	£197	02319
End Panel (800x540)	£104	02291	£137	02277
Screen CFS-1 (H=1400mm)	£262	02344	£262	02344
Screen CFS-2 (H=1500mm)	£262	02346	£262	02346
Grips CCG-2	£46	02356	£46	02356



FEATURES: **C** Carronite **P** Panel
H Hand Grips

CAPACITY: 210 Litres

WHIRLPOOL: N/A

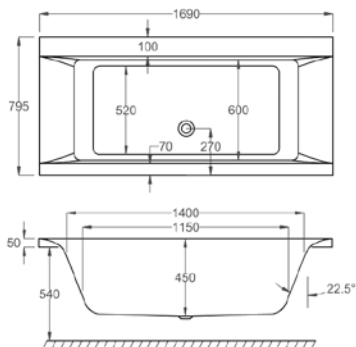
KIT REF: Standard - AK-03
Carronite - AK-03-C

SIZES: 1700x800

Haiku

Length. **1700mm** | Width. **800mm** | Height. **540mm**

	5mm	Code	Carronite	Code
Haiku	£625	02094	£1,010	02095
L-Shaped Panel (1700x800x540)	-	-	£368	02489
Haiku Front Panel (1700x540)	£147	02563	£198	02564
Haiku End Panel (800x540)	£104	02291	£137	02277



FEATURES: **C** Carronite **P** Panel
W Whirlpool

CAPACITY: 220 Litres

WHIRLPOOL: Systems ① ② ③ ④ ⑤ ⑥

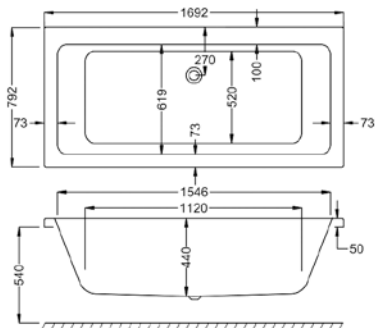
KIT REF: Standard - AK-03
Carronite - AK-03-C

SIZES: 1700x800, 1800x800,
1800x900

Quantum DE

Length. **1700mm** | Width. **800mm** | Height. **540mm**

	5mm	Code	Carronite	Code
Quantum DE	£507	02392	£740	02393
L-Shaped Panel (1700x800x540)	-	-	£368	02489
Front Panel (1700x540)	£146	02318	£197	02319
End Panel (800x540)	£104	02291	£137	02277
Screen CFS-1 (H=1400mm)	£262	02344	£262	02344
Screen CFS-2 (H=1500mm)	£262	02346	£262	02346



FEATURES: **C** Carronite **P** Panel
W Whirlpool

CAPACITY: 190 Litres

WHIRLPOOL: Systems ① ② ③ ④ ⑤ ⑥

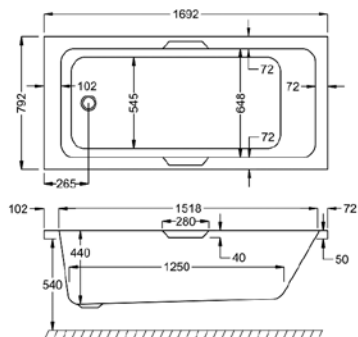
KIT REF: Standard - AK-03
Carronite - AK-03-C

SIZES: 1700x700, 1700x750,
1700x800, 1800x800,
1900x900

Quantum Integra

Length. **1700mm** | Width. **800mm** | Height. **540mm**

	5mm	Code	Carronite	Code
Quantum Integra	£557	02394	£787	02395
L-Shaped Panel (1700x800x540)	-	-	£368	02489
Front Panel (1700x540)	£146	02318	£197	02319
End Panel (800x540)	£104	02291	£137	02277
Screen CFS-1 (H=1400mm)	£262	02344	£262	02344
Screen CFS-2 (H=1500mm)	£262	02346	£262	02346
Anthracite Integra Hand Grips (additional cost)	+£60	02549	+£60	02549



FEATURES:

- C Carronite
 P Panel
H Hand Grips
 W Whirlpool

CAPACITY:

267 Litres

WHIRLPOOL:

Systems ① ② ③ ④ ⑤ ⑥

KIT REF:

Standard - AK-03
Carronite - AK-03-C

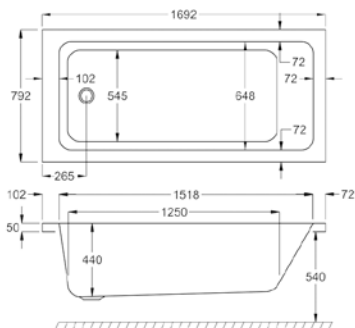
SIZES:

1500x700, 1600x700,
1650x700, 1700x700,
1700x750, 1700x800,
1750x750, 1800x800

Quantum SE

Length. **1700mm** | Width. **800mm** | Height. **540mm**

	5mm	Code	Carronite	Code
Quantum SE	£507	02149	£740	02150
L-Shaped Panel (1700x800x540)	-	-	£368	02489
Front Panel (1700x540)	£146	02318	£197	02319
End Panel (800x540)	£104	02291	£137	02277
Screen CFS-1 (H=1400mm)	£262	02344	£262	02344
Screen CFS-2 (H=1500mm)	£262	02346	£262	02346



FEATURES: **C** Carronite **P** Panel
W Whirlpool

CAPACITY: 267 Litres

WHIRLPOOL: Systems ① ② ③ ④ ⑤ ⑥

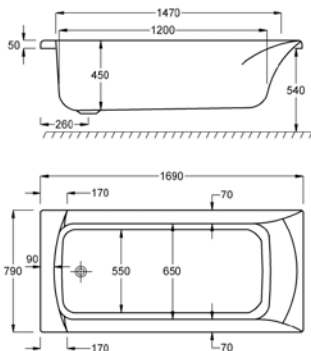
KIT REF: Standard - AK-03
Carronite - AK-03-C

SIZES: 1500x700, 1575x700,
1600x700, 1600x800,
1650x700, 1700x700,
1700x750, 1700x800,
1700x900, 1800x725,
1800x800

Sigma

Length. **1700mm** | Width. **800mm** | Height. **540mm**

	5mm	Code	Carronite	Code
Sigma	£648	02193	£1,021	02194
L-Shaped Panel (1700x800x540)	-	-	£368	02489
Front Panel (1700x540)	£146	02318	£197	02319
End Panel (800x540)	£104	02291	£137	02277
Screen CFS-1 (H=1400mm)	£262	02344	£262	02344
Screen CFS-2 (H=1500mm)	£262	02346	£262	02346
Grips CCG-1	£59	02357	£59	02357



FEATURES:

- C Carronite P Panel
H Hand Grips W Whirlpool

CAPACITY:

220 Litres

WHIRLPOOL:

Systems ① ② ③ ④ ⑤ ⑥

KIT REF:

Standard - AK-03
 Carronite - AK-03-C

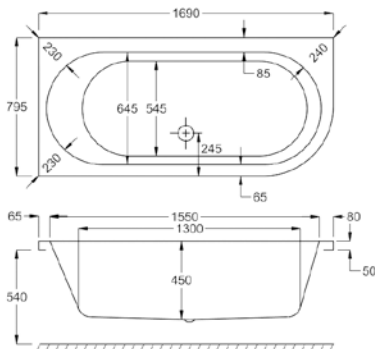
SIZES:

1600x750, 1700x750,
 1700x800, 1800x800,
 1900x900

Status

Length. **1700mm** | Width. **800mm** | Height. **540mm**

	5mm	Code	Carronite	Code
Status (LH)	£696	02217	£1,061	02218
Status (RH)	£696	02219	£1,061	02220
Status Front Panel 17.80	£260	02338	£367	02339
Screen CFS-1 (H=1400mm)	£262	02344	£262	02344
Screen CFS-2 (H=1500mm)	£262	02346	£262	02346



FEATURES: **C** Carronite **P** Panel
W Whirlpool

CAPACITY: 250 Litres

WHIRLPOOL: Systems ① ② ③ ④ ⑤ ⑥

KIT REF: Standard - AK-03
Carronite - AK-03-C

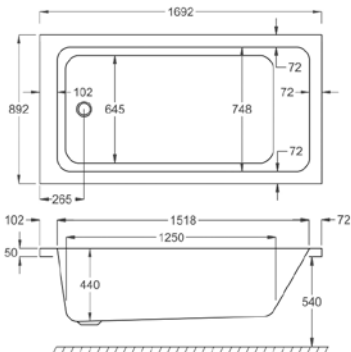
SIZES: 1600x725, 1700x725,
1700x800

Available in right or left hand. Right hand shown.
We recommend taps are fitted on the centre of the back ledge on this model.

Quantum SE

Length. **1700mm** | Width. **900mm** | Height. **540mm**

	5mm	Code	Carronite	Code
Quantum SE	£670	02181	£937	02182
Front Panel (1700x540)	£146	02318	£197	02319
End Panel (900x540)	£115	02293	£150	02278
Screen CFS-1 (H=1400mm)	£262	02344	£262	02344
Screen CFS-2 (H=1500mm)	£262	02346	£262	02346



FEATURES:

- C Carronite
 P Panel
W Whirlpool

CAPACITY:

318 Litres

WHIRLPOOL:

Systems ① ② ③ ④ ⑤ ⑥

KIT REF:

Standard - AK-13-C
Carronite - AK-13-C

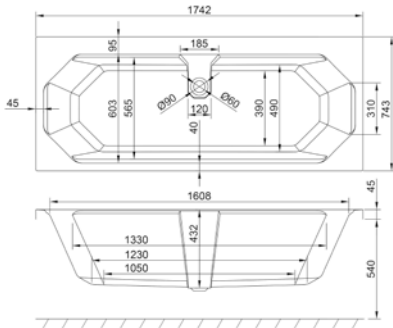
SIZES:

1500x700, 1575x700,
1600x700, 1600x800,
1650x700, 1700x700,
1700x750, 1700x800,
1700x900, 1800x725,
1800x800

Camden DE

Length. **1750mm** | Width. **750mm** | Height. **540mm**

	5mm	Code	Carronite	Code
Camden DE	£513	02613	£811	02614
L-shaped Panel (1750x750x540)	-	-	£368	02607
Front Panel (1750x540)	£146	02601	£197	02602
End Panel (750x540)	£104	02289	£137	02275
Screen CFS-1 (H=1400mm)	£262	02344	£262	02344
Screen CFS-2 (H=1500mm)	£262	02346	£262	02346



FEATURES: **C** Carronite **P** Panel

CAPACITY: 209 Litres

WHIRLPOOL: N/A

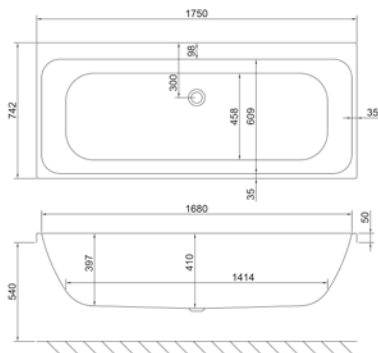
KIT REF: Standard - AK-01
Carronite - AK-01-C

SIZES: 1700x700, 1700x750,
1750x750

Profile DE

Length. **1750mm** | Width. **750mm** | Height. **540mm**

	5mm	Code	Carronite	Code
Profile DE	£541	02593	£845	02594
L-Shaped Panel (1750x750x540)	-	-	£368	02607
Front Panel (1750x540)	£146	02601	£197	02602
End Panel (750x540)	£104	02289	£137	02275
Screen CFS-1 (H=1400mm)	£262	02344	£262	02344
Screen CFS-2 (H=1500mm)	£262	02346	£262	02346



FEATURES: **C** Carronite **P** Panel

CAPACITY: 236 Litres

WHIRLPOOL: N/A

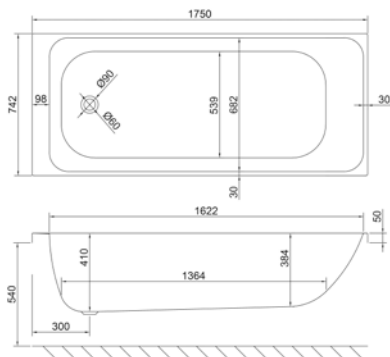
KIT REF: Standard – AK-01
Carronite – AK-01-C

SIZES: 1600x700, 1600x800,
1650x700, 1700x700,
1700x750, 1750x750,
1800x700

Profile SE

Length. **1750mm** | Width. **750mm** | Height. **540mm**

	5mm	Code	Carronite	Code
Profile SE	£541	02591	£845	02592
L-Shaped Panel (1750x750x540)	-	-	£368	02607
Front Panel (1750x540)	£146	02601	£197	02602
End Panel (750x540)	£104	02289	£137	02275
Screen CFS-1 (H=1400mm)	£262	02344	£262	02344
Screen CFS-2 (H=1500mm)	£262	02346	£262	02346



FEATURES: **C** Carronite **P** Panel

CAPACITY: 264 Litres

WHIRLPOOL: N/A

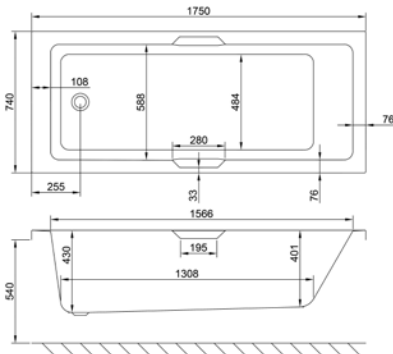
KIT REF: Standard - AK-01
Carronite - AK-01-C

SIZES: 1500x700, 1600x700,
1700x700, 1700x750,
1750x750, 1800x700

Quantum Integra

Length. **1750mm** | Width. **750mm** | Height. **540mm**

	5mm	Code	Carronite	Code
Quantum Integra	£574	02595	£799	02596
L-Shaped Panel (1750x750x540)	-	-	£368	02607
Front Panel (1750x540)	£146	02601	£197	02602
End Panel (750x540)	£104	02289	£137	02275
Screen CFS-1 (H=1400mm)	£262	02344	£262	02344
Screen CFS-2 (H=1500mm)	£262	02346	£262	02346
Anthracite Integra Hand Grips (additional cost)	+£60	02549	+£60	02549



FEATURES:

- C Carronite
 P Panel
H Hand Grips
 W Whirlpool

CAPACITY: 247 Litres

WHIRLPOOL: Systems ① ② ③ ④ ⑤ ⑥

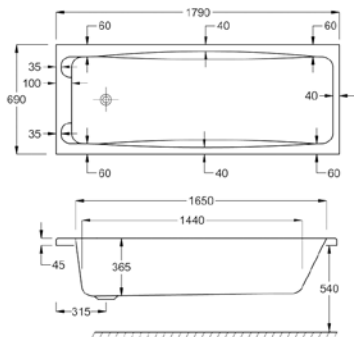
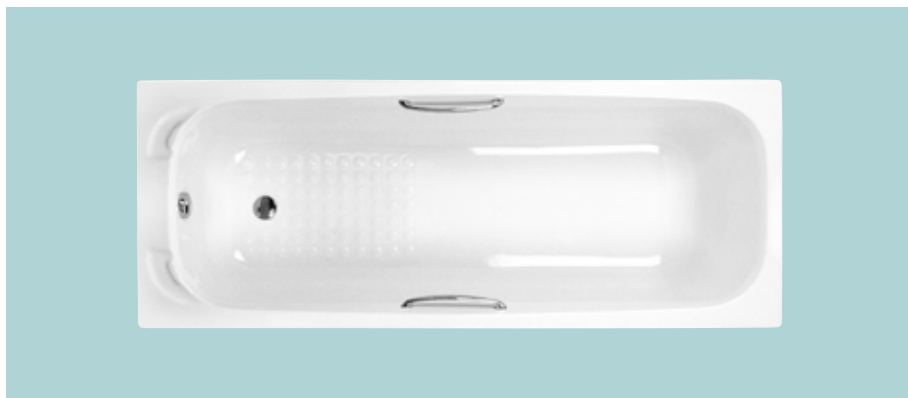
KIT REF: Standard - AK-01-C
Carronite - AK-01-C

SIZES: 1500x700, 1600x700,
1650x700, 1700x700,
1700x750, 1700x800,
1750x750, 1800x800

Swallow TG

Length. **1800mm** | Width. **700mm** | Height. **540mm**

	5mm	Code	Carronite	Code
Swallow TG	£637	02224	£872	02225
L-Shaped Panel (1800x700x540)	-	-	£368	02311
Front Panel (1800x540)	£155	02322	£205	02323
End Panel (700x540)	£104	02286	£137	02272
Screen CFS-1 (H=1400mm)	£262	02344	£262	02344
Screen CFS-2 (H=1500mm)	£262	02346	£262	02346



FEATURES: **C** Carronite **P** Panel
H Hand Grips

CAPACITY: 185 Litres

WHIRLPOOL: N/A

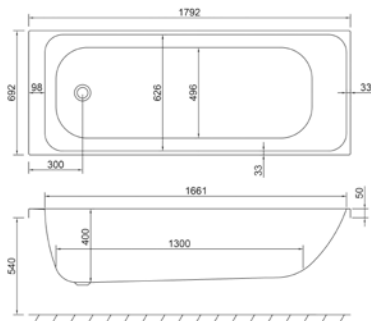
KIT REF: Standard - AK-02
Carronite - AK-02-C

SIZES: 1700x700, 1800x700

Profile SE

Length. **1800mm** | Width. **700mm** | Height. **540mm**

	5mm	Code	Carronite	Code
Profile SE	£551	02571	£869	02572
L-Shaped Panel (1800x700x540)	-	-	£368	02311
Front Panel (1800x540)	£155	02322	£205	02323
End Panel (700x540)	£104	02286	£137	02272
Screen CFS-1 (H=1400mm)	£262	02344	£262	02344
Screen CFS-2 (H=1500mm)	£262	02346	£262	02346



FEATURES: **C** Carronite **P** Panel

CAPACITY: 255 Litres

WHIRLPOOL: N/A

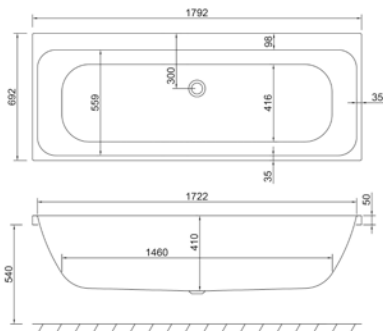
KIT REF: Standard – AK-01
Carronite – AK-01-C

SIZES: 1500x700, 1600x700,
1700x700, 1700x750,
1750x750, 1800x700

Profile DE

Length. **1800mm** | Width. **700mm** | Height. **540mm**

	5mm	Code	Carronite	Code
Profile DE	£551	02573	£869	02574
L-Shaped Panel (1800x700x540)	-	-	£368	02311
Front Panel (1800x540)	£155	02322	£205	02323
End Panel (700x540)	£104	02286	£137	02272
Screen CFS-1 (H=1400mm)	£262	02344	£262	02344
Screen CFS-2 (H=1500mm)	£262	02346	£262	02346



FEATURES: **C** Carronite **P** Panel

CAPACITY: 231 Litres

WHIRLPOOL: N/A

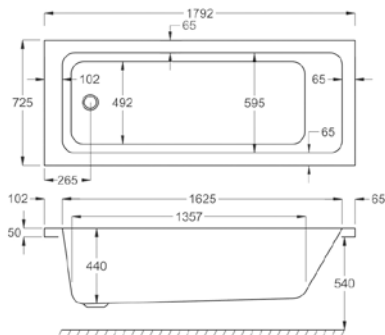
KIT REF: Standard - AK-01
Carronite - AK-01-C

SIZES: 1600x700, 1600x800,
1650x700, 1700x700,
1700x750, 1750x750,
1800x700

Quantum SE

Length. **1800mm** | Width. **725mm** | Height. **540mm**

	5mm	Code	Carronite	Code
Quantum SE	£494	02153	£735	02154
L-Panel (1800 x 725 x 540)	-	-	£368	02608
Front Panel (1800x540)	£155	02322	£205	02323
End Panel (725x540)	£104	02287	£137	02307
Screen CFS-1 (H=1400mm)	£262	02344	£262	02344
Screen CFS-2 (H=1500mm)	£262	02346	£262	02346



FEATURES: **C** Carronite **P** Panel
W Whirlpool

CAPACITY: 266 Litres

WHIRLPOOL: Systems ① ② ③ ④ ⑤ ⑥

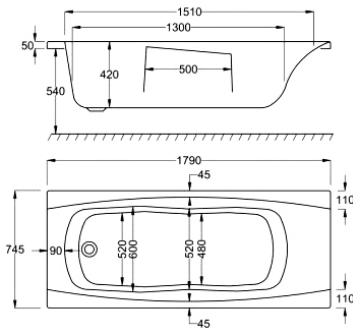
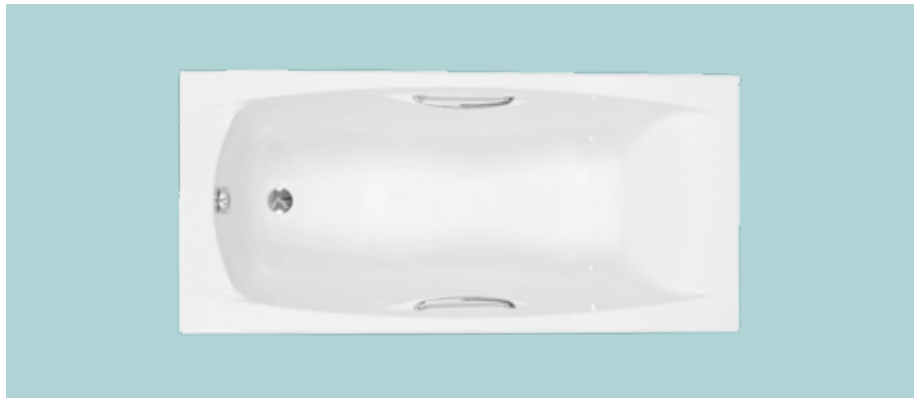
KIT REF: Standard - AK-01
Carronite - AK-01-C

SIZES: 1500x700, 1575x700,
1600x700, 1600x800,
1650x700, 1700x700,
1700x750, 1700x800,
1700x900, 1800x725,
1800x800

Imperial TG

Length. **1800mm** | Width. **750mm** | Height. **540mm**

	5mm	Code	Carronite	Code
Imperial TG	£725	02116	£1,032	02117
Front Panel (1800x540)	£155	02322	£205	02323
End Panel (750x540)	£104	02289	£137	02275
Screen CFS-1 (H=1400mm)	£262	02344	£262	02344
Screen CFS-2 (H=1500mm)	£262	02346	£262	02346



FEATURES: **C** Carronite **P** Panel
H Hand Grips **W** Whirlpool

CAPACITY: 210 Litres

WHIRLPOOL: Systems ① ② ③ ④ ⑤ ⑥

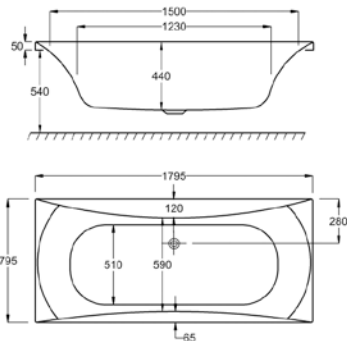
KIT REF: Standard - AK-01
 Carronite - AK-01-C

SIZES: 1400x700, 1500x700,
 1600x700, 1675x700,
 1700x700, 1800x750

Alpha

Length. **1800mm** | Width. **800mm** | Height. **540mm**

	5mm	Code	Carronite	Code
Alpha	£684	02009	£1,001	02010
L-Shaped Panel (1800x800x540)	-	-	£368	02301
Front Panel (1800x540)	£155	02322	£205	02323
End Panel (800x540)	£104	02291	£137	02277



FEATURES:

- Carronite Panel
 Whirlpool

CAPACITY: 220 Litres

WHIRLPOOL: Systems ① ② ③ ④ ⑤ ⑥

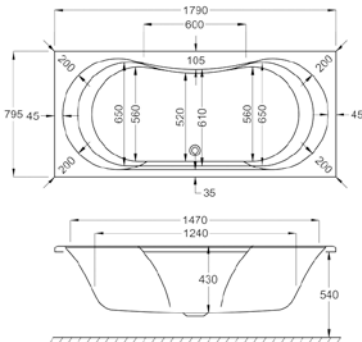
KIT REF: Standard - AK-03
Carronite - AK-03-C

SIZES: 1700x700, 1700x750,
1800x800

Arc DE

Length. **1800mm** | Width. **800mm** | Height. **540mm**

	5mm	Code	Carronite	Code
Arc DE	£535	02019	£764	02020
L-Shaped Panel (1800x800x540)	-	-	£368	02301
Front Panel (1800x540)	£155	02322	£205	02323
End Panel (800x540)	£104	02291	£137	02277



FEATURES: **C** Carronite **P** Panel
W Whirlpool

CAPACITY: 210 Litres

WHIRLPOOL: Systems ① ② ③ ④ ⑤ ⑥

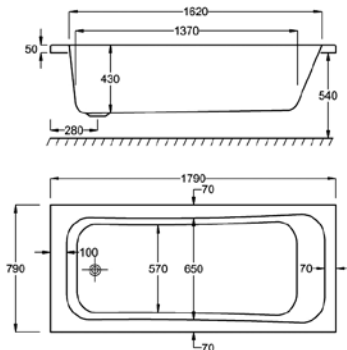
KIT REF: Standard - AK-03
Carronite - AK-03-C

SIZES: 1700x750, 1800x800

Britannia

Length. **1800mm** | Width. **800mm** | Height. **540mm**

	5mm	Code	Carronite	Code
Britannia	£677	02465	£932	02466
L-Shaped Panel (1800x800x540)	-	-	£368	02301
Front Panel (1800x540)	£155	02322	£205	02323
End Panel (800x540)	£104	02291	£137	02277



FEATURES: **C** Carronite **P** Panel
W Whirlpool

CAPACITY: 245 Litres

WHIRLPOOL: Systems ① ④

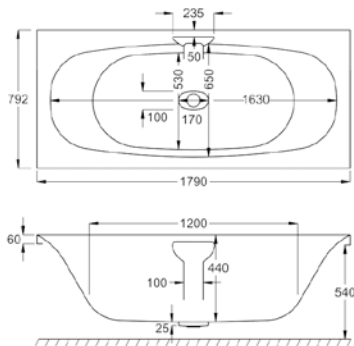
KIT REF: Standard - AK-03
Carronite - AK-03-C

SIZES: 1700x700, 1700x750,
1800x800

Echelon (includes filler)

Length. **1800mm** | Width. **800mm** | Height. **540mm**

	5mm	Code	Carronite	Code
Echelon (inc filler)	£1,151	02081	£1,495	02082
L-Shaped Panel (1800x800x540)	-	-	£368	02301
Front Panel (1800x540)	£155	02322	£205	02323
End Panel (800x540)	£104	02291	£137	02277



FEATURES: **C** Carronite **P** Panel

CAPACITY: 230 Litres

WHIRLPOOL: N/A

KIT REF: Standard - AK-03
Carronite - AK-03-C

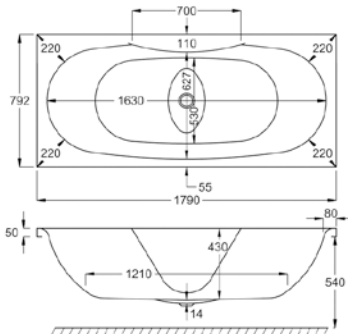
SIZES: 1700x750, 1800x800

*Min 1.5 bar pressure required.

Equation

Length. **1800mm** | Width. **800mm** | Height. **540mm**

	5mm	Code	Carronite	Code
Equation	£690	02092	£1,010	02093
L-Shaped Panel (1800x800x540)	-	-	£368	02301
Front Panel (1800x540)	£155	02322	£205	02323
End Panel (800x540)	£104	02291	£137	02277



FEATURES: **C** Carronite **P** Panel
W Whirlpool

CAPACITY: 233 Litres

WHIRLPOOL: Systems ① ② ③ ④ ⑤ ⑥

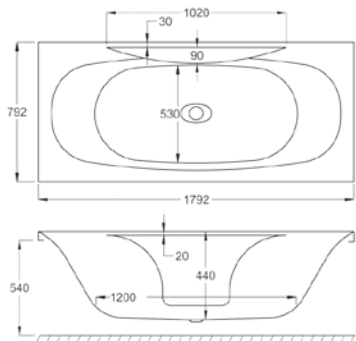
KIT REF: Standard - AK-03
Carronite - AK-03-C

SIZES: 1700x750, 1800x800

Equity

Length. **1800mm** | Width. **800mm** | Height. **540mm**

	5mm	Code	Carronite	Code
Equity	£855	02361	£1,246	02362
L-Shaped Panel (1800x800x540)	-	-	£368	02301
Front Panel (1800x540)	£155	02322	£205	02323
End Panel (800x540)	£104	02291	£137	02277



FEATURES: **C** Carronite **P** Panel
W Whirlpool

CAPACITY: 225 Litres

WHIRLPOOL: Systems ① ② ③ ④ ⑤ ⑥

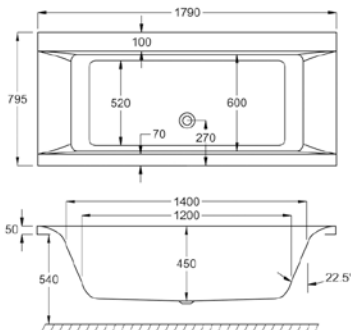
KIT REF: Standard - AK-03
Carronite - AK-03-C

SIZES: 1700x750, 1800x800

Haiku

Length. **1800mm** | Width. **800mm** | Height. **540mm**

	5mm	Code	Carronite	Code
Haiku	£789	02096	£1,256	02097
L-Shaped Panel (1800x800x540)	-	-	£368	02301
Haiku Front Panel (1800x540)	£156	02565	£205	02566
Haiku End Panel (800x540)	£104	02291	£137	02277


FEATURES:

- C Carronite
 P Panel
W Whirlpool

CAPACITY: 230 Litres

WHIRLPOOL: Systems ① ② ③ ④ ⑤ ⑥

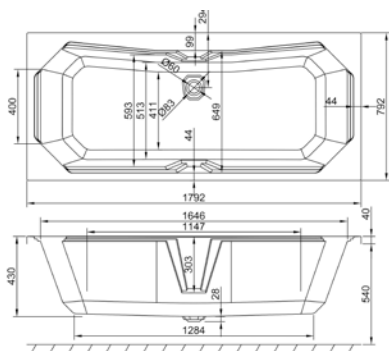
KIT REF: Standard - AK-03
Carronite - AK-03-C

SIZES: 1700x800, 1800x800,
1800x900

Highgate DE

Length. **1800mm** | Width. **800mm** | Height. **540mm**

	Carronite	Code
Highgate DE	£1,432	02537
Highgate L-Shaped Panel (1800x800x540)	£362	02546
Highgate Front Panel (1800x540)	£231	02544
Etched Screen Left Hand (LH)	£313	02583
Etched Screen Right Hand (RH)	£313	02584
Grips (single)	£58	02548



FEATURES: **C** Carronite **P** Panel
H Hand Grips

CAPACITY: 264 Litres

WHIRLPOOL: N/A

KIT REF: Carronite - AK-03-C

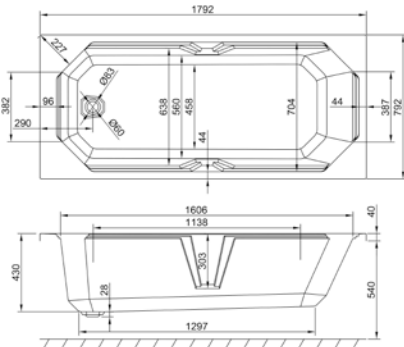
SIZES: 1700x750, 1800x800

* Single grip option - fitted opposite overflow.

Highgate SE

Length. **1800mm** | Width. **800mm** | Height. **540mm**

	5mm	Code	Carronite	Code
Highgate SE (c/w pair grips)			£1,432	02580
Highgate L-Shaped Panel (1800x800x540)			£362	02546
Highgate Front Panel (1800x540)			£231	02544
Etched Screen Left Hand (LH)			£313	02583
Etched Screen Right Hand (RH)			£313	02584



FEATURES: **C** Carronite **P** Panel
H Hand Grips

CAPACITY: 268 Litres

WHIRLPOOL: N/A

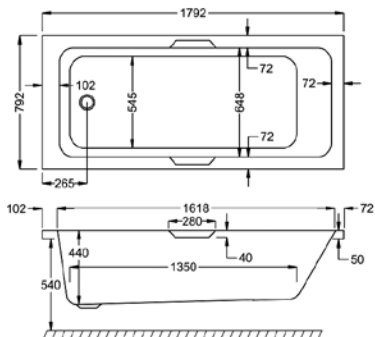
KIT REF: Carronite – AK-03-C

SIZES: 1700x750, 1800x800

Quantum Integra

Length. **1800mm** | Width. **800mm** | Height. **540mm**

	5mm	Code	Carronite	Code
Quantum Integra	£588	02396	£825	02397
L-Shaped Panel (1800x800x540)	-	-	£368	02301
Front Panel (1800x540)	£155	02322	£205	02323
End Panel (800x540)	£104	02291	£137	02277
Screen CFS-1 (H=1400mm)	£262	02344	£262	02344
Screen CFS-2 (H=1500mm)	£262	02346	£262	02346
Anthracite Integra Hand Grips (additional cost)	+£60	02549	+£60	02549

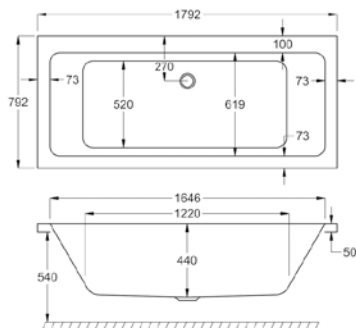


- FEATURES:** **C** Carronite **P** Panel
H Hand Grips **W** Whirlpool
- CAPACITY:** 285 Litres
- WHIRLPOOL:** Systems ① ② ③ ④ ⑤ ⑥
- KIT REF:** Standard - AK-03
Carronite - AK-03-C
- SIZES:** 1500x700, 1600x700,
1650x700, 1700x700,
1700x750, 1700x800,
1750x750, 1800x800

Quantum DE

Length. **1800mm** | Width. **800mm** | Height. **540mm**

	5mm	Code	Carronite	Code
Quantum DE	£549	02161	£797	02162
L-Shaped Panel (1800x800x540)	-	-	£368	02301
Front Panel (1800x540)	£155	02322	£205	02323
End Panel (800x540)	£104	02291	£137	02277
Screen CFS-1 (H=1400mm)	£262	02344	£262	02344
Screen CFS-2 (H=1500mm)	£262	02346	£262	02346



FEATURES: **C** Carronite **P** Panel
W Whirlpool

CAPACITY: 230 Litres

WHIRLPOOL: Systems ① ② ③ ④ ⑤ ⑥

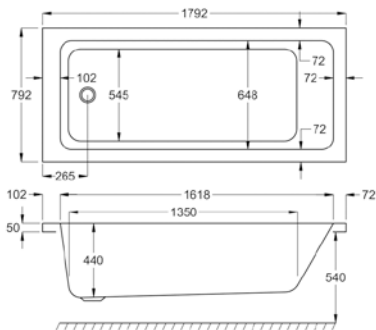
KIT REF: Standard - AK-03
Carronite - AK-03-C

SIZES: 1700x700, 1700x750,
1700x800, 1800x800,
1900x900

Quantum SE

Length. **1800mm** | Width. **800mm** | Height. **540mm**

	5mm	Code	Carronite	Code
Quantum SE	£549	02155	£797	02156
L-Shaped Panel (1800x800x540)	-	-	£368	02301
Front Panel (1800x540)	£155	02322	£205	02323
End Panel (800x540)	£104	02291	£137	02277
Screen CFS-1 (H=1400mm)	£262	02344	£262	02344
Screen CFS-2 (H=1500mm)	£262	02346	£262	02346



FEATURES: **C** Carronite **P** Panel
W Whirlpool

CAPACITY: 285 Litres

WHIRLPOOL: Systems ① ② ③ ④ ⑤ ⑥

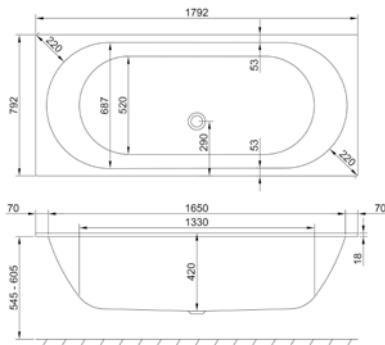
KIT REF: Standard - AK-03
Carronite - AK-03-C

SIZES: 1500x700, 1575x700,
1600x700, 1600x800,
1650x700, 1700x700,
1700x750, 1700x800,
1700x900, 1800x725,
1800x800

Sienna

Length. **1800mm** | Width. **800mm** | Height. **545mm**

	5mm	Code	Carronite	Code
Sienna (Gloss)	-	-	£1,112	02802
Sienna (Matt)	-	-	£1,206	02804



FEATURES: **C** Carronite **P** Panel
W Whirlpool

CAPACITY: 226 Litres

WHIRLPOOL: Systems ① ④

KIT REF: Standard - AK-03
Carronite - AK-03-C

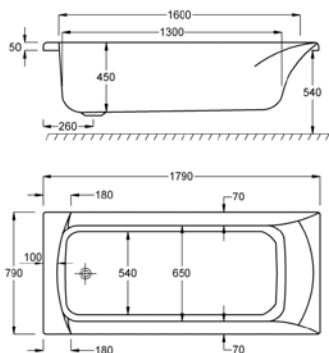
SIZES: 1700x750, 1800x800

Sienna must be installed in a plinth setting. No panel available. See pages 164-167 for more information.

Sigma

Length. **1800mm** | Width. **800mm** | Height. **540mm**

	5mm	Code	Carronite	Code
Sigma	£764	02197	£1,272	02198
L-Shaped Panel (1800x800x540)	-	-	£368	02301
Front Panel (1800x540)	£155	02322	£205	02323
End Panel (800x540)	£104	02291	£137	02277
Screen CFS-1 (H=1400mm)	£262	02344	£262	02344
Screen CFS-2 (H=1500mm)	£262	02346	£262	02346
Grips CCG-1	£59	02357	£59	02357

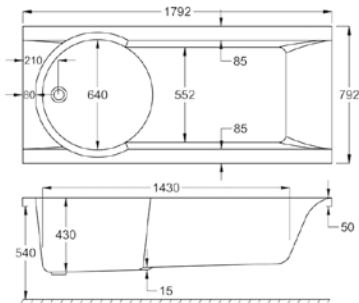
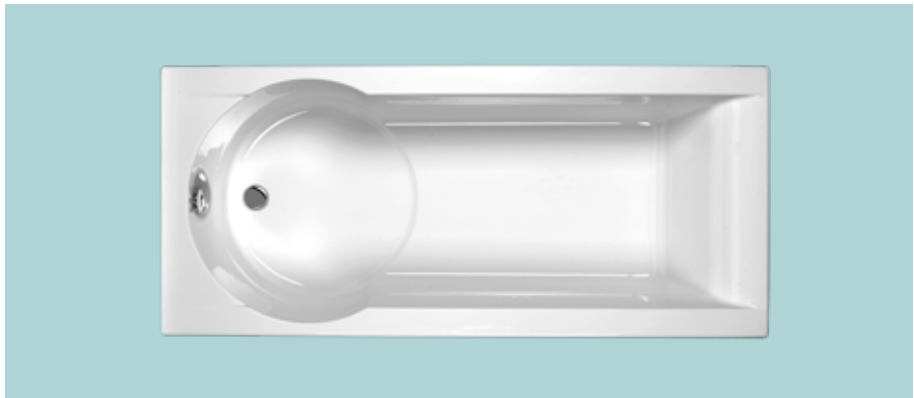


- FEATURES:** **C** Carronite **P** Panel
 H Hand Grips **W** Whirlpool
- CAPACITY:** 240 Litres
- WHIRLPOOL:** Systems ① ② ③ ④ ⑤ ⑥
- KIT REF:** Standard - AK-03
 Carronite - AK-03-C
- SIZES:** 1600x750, 1700x750,
 1700x800, 1800x800,
 1900x900

Zone

Length. **1800mm** | Width. **800mm** | Height. **540mm**

Zone	5mm	Code	Carronite	Code
Zone	£564	02624	£884	02625
L-shaped panel (1800x800x540)	-	-	£368	02301
Front Panel (1800x540)	£155	02322	£205	02323
End Panel (800x540)	£104	02291	£137	02277
Screen CFS-1 (H=1400mm)	£262	02344	£262	02344
Screen CFS-2 (H=1500mm)	£262	02346	£262	02346



FEATURES: **C** Carronite **P** Panel
W Whirlpool

CAPACITY: 275 Litres

WHIRLPOOL: Systems ① ④

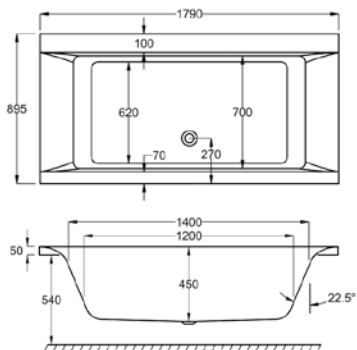
KIT REF: Standard - AK-03
Carronite - AK-03-C

SIZES: 1700x750, 1800x800

Haiku

Length. **1800mm** | Width. **900mm** | Height. **540mm**

	5mm	Code	Carronite	Code
Haiku	£856	02098	£1,323	02099
Haiku Front Panel (1800x540)	£156	02565	£205	02566
Haiku End Panel (900x540)	£115	02293	£150	02278



FEATURES: **C** Carronite **P** Panel
W Whirlpool

CAPACITY: 290 Litres

WHIRLPOOL: Systems ① ② ③ ④ ⑤ ⑥

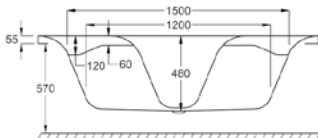
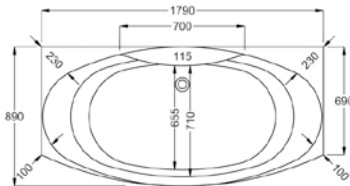
KIT REF: Standard - AK-03
Carronite - AK-03-C

SIZES: 1700x800, 1800x800,
1800x900

Mistral

Length. **1800mm** | Width. **700-900mm** | Height. **570mm**

	5mm	Code	Carronite	Code
Mistral	£1,049	02128	£1,541	02129
Mistral Front Panel	£222	02302	-	-
Mistral End Panel	£116	02303	-	-



FEATURES: **C** Carronite **P** Panel
W Whirlpool

CAPACITY: 330 Litres

WHIRLPOOL: Systems ① ② ③ ④ ⑤ ⑥

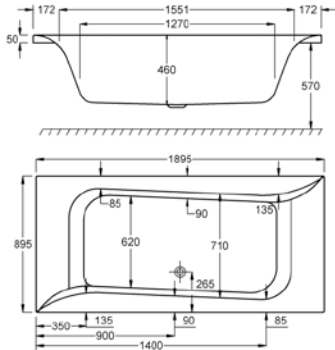
KIT REF: Standard - AK-03
Carronite - AK-03-C

SIZES: 1800x700-900

Linea

Length. **1900mm** | Width. **900mm** | Height. **570mm**

	5mm	Code	Carronite	Code
Linea	£1,203	02120	£1,784	02121
Front Panel (1900x570)	£155	02284	£205	02270
End Panel (900x570)	£115	02294	£150	02279



FEATURES:

- C** Carronite
- P** Panel
- W** Whirlpool

CAPACITY:

345 Litres

WHIRLPOOL:

Systems ① ② ③ ④ ⑤ ⑥

KIT REF:

Standard - AK-03
Carronite - AK-03-C

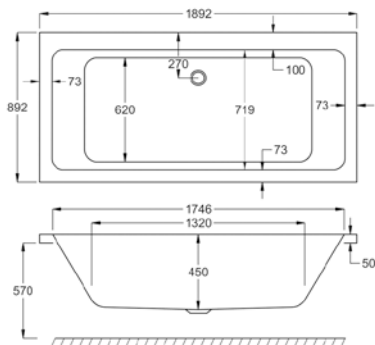
SIZES:

1900x900

Quantum DE

Length. **1900mm** | Width. **900mm** | Height. **570mm**

	5mm	Code	Carronite	Code
Quantum DE	£846	02163	£1,227	02164
Front Panel (1900x570)	£155	02284	£205	02270
End Panel (900x570)	£115	02294	£150	02279



FEATURES:

- C Carronite
 P Panel
W Whirlpool

CAPACITY:

350 Litres

WHIRLPOOL:

Systems ① ② ③ ④ ⑤ ⑥

KIT REF:

Standard - AK-03
Carronite - AK-03-C

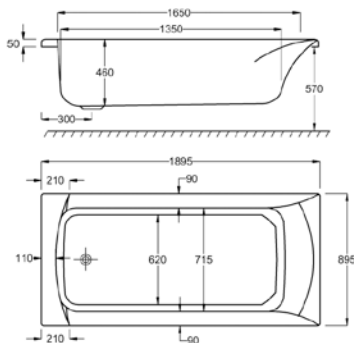
SIZES:

1700x700, 1700x750,
1700x800, 1800x800,
1900x900

Sigma

Length. **1900mm** | Width. **900mm** | Height. **570mm**

	5mm	Code	Carronite	Code
Sigma	£1,098	02201	£1,605	02202
Front Panel (1900x570)	£155	02284	£205	02270
End Panel (900x570)	£115	02294	£150	02279
Screen CFS-1 (H=1400mm)	£262	02344	£262	02344
Screen CFS-2 (H=1500mm)	£262	02346	£262	02346
Grips CCG-1	£59	02357	£59	02357



FEATURES: **C** Carronite **P** Panel
H Hand Grips **W** Whirlpool

CAPACITY: 350 Litres

WHIRLPOOL: Systems ① ② ③ ④ ⑤ ⑥

KIT REF: Standard - AK-03
Carronite - AK-03-C

SIZES: 1600x750, 1700x750,
1700x800, 1800x800,
1900x900

Showerbaths

With more space for showering whilst retaining the option of a luxury bath, our range of showerbaths all come with matching shower screens and panels.

Carronite™ **Ideal for showering**

The strength and stability offered by our Carronite™ finish makes it an ideal option for the showerbath of your choice.





TIME TO UPGRADE YOUR SHOWER EXPERIENCE.



Buy any **Carronite**
showerbath and panel
set and get a **shower**
screen completely free.

Our Carronite baths bring an extra feeling of strength and stability, making them the perfect choice for a showerbath.

Carronite showerbath sets consist of Carronite Bath, Carronite Front panel or L-panel and Screen. This offer, based on a Celsius Showerbath Set with Wrap round screen (02379) would give a potential saving of £962 ex-VAT at retail price.

 **carronite**TM

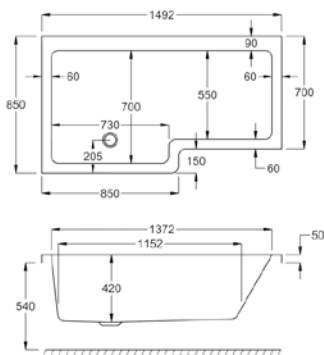
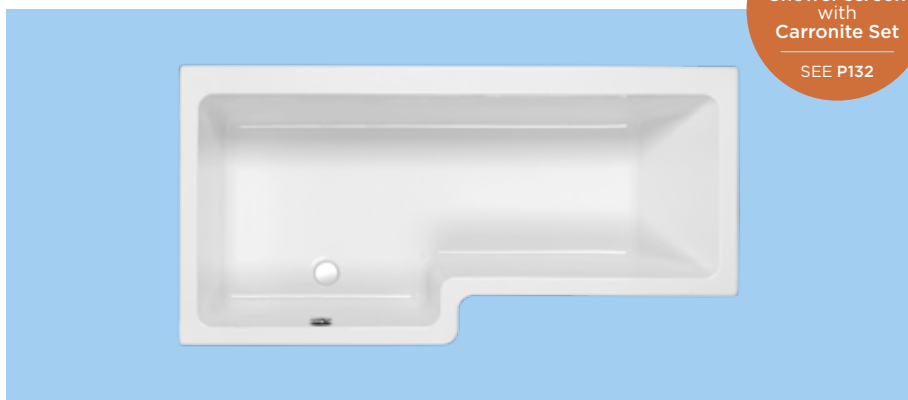
**Save up
to £962***

Quantum

Length. **1500mm** | Width. **700-850mm** | Height. **540mm**

	5mm	Code	Carronite	Code
Quantum Showerbath 1500 (LH)	£547	02173	£781	02174
Quantum Showerbath 1500 (RH)	£547	02175	£781	02176
Quantum SB 1500 Front Panel	£194	02324	£418	02325
SB End Panel	£122	02312	£166	02313
Screen QSS-2	£346	02347	£346	02347
Set (bath, screen, front panel)	£1,087	-	£1,545	-

FREE
Shower screen
with
Carronite Set
SEE P132



FEATURES: **C** Carronite **P** Panel

CAPACITY: 229 Litres

WHIRLPOOL: N/A

KIT REF: Standard - AK-05
Carronite - AK-05-C

SIZES: 1500x700-850,
1600x700-850,
1700x700-850

Left hand and right hand baths available.
Left hand bath shown.

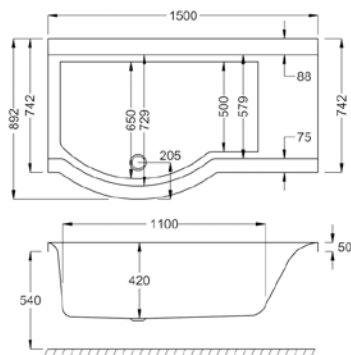
Urban Compact

Length. **1500mm** | Width. **750-900mm** | Height. **540mm**

	5mm	Code	Carronite	Code
Urban Compact (LH)	£782	02365	£1,226	02366
Urban Compact (RH)	£782	02367	£1,226	02368
L-Shaped Showerbath Panel	-	-	£554	02505
Urban SB 1500 Front Panel	£255	02373	£405	02374
Screen CSS-4	£326	02380	£326	02380
Screen Wrap Round	£962	02379	£962	02379
Set 1 (Bath, Screen, Front Panel)	£1,363	-	£1,957	-
Set 2 (Bath, Wrap Round Screen, Front Panel)	£1,999	-	£2,593	-

FREE
Shower screen
with
Carronite Set

SEE P132



FEATURES:

- C Carronite
 P Panel
W Whirlpool

CAPACITY:

228 Litres

WHIRLPOOL:

Systems ① ② ③ ④ ⑤ ⑥

KIT REF:

Standard - AK-05
Carronite - AK-05-C

SIZES:

1500x750-900

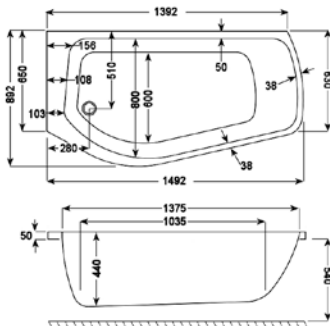
Profile Showerbath

Length. **1500mm** | Width. **900mm** | Height. **540mm**

	5mm	Code	Carronite	Code
Profile Showerbath (LH)	£807	02467	£1,198	02469
Profile Showerbath (RH)	£807	02468	£1,198	02470
Profile SB Front Panel (LH)	£277	02512	-	-
Profile SB Front Panel (RH)	£277	02513	-	-
Screen CSS-4	£326	02380	£326	02380
Set (Bath, Screen, Front Panel)	£1,410	-	£1,801	-

FREE
Shower screen
with
Carronite Set

SEE P132



FEATURES: **C** Carronite **P** Panel

CAPACITY: 241 Litres

WHIRLPOOL: N/A

KIT REF: Standard - AK-04
Carronite - AK-04-C

SIZES: 1500x900

Left hand and right hand baths available.
Left hand bath shown.

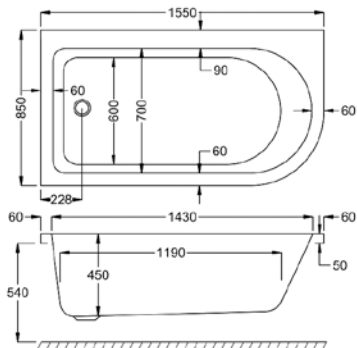
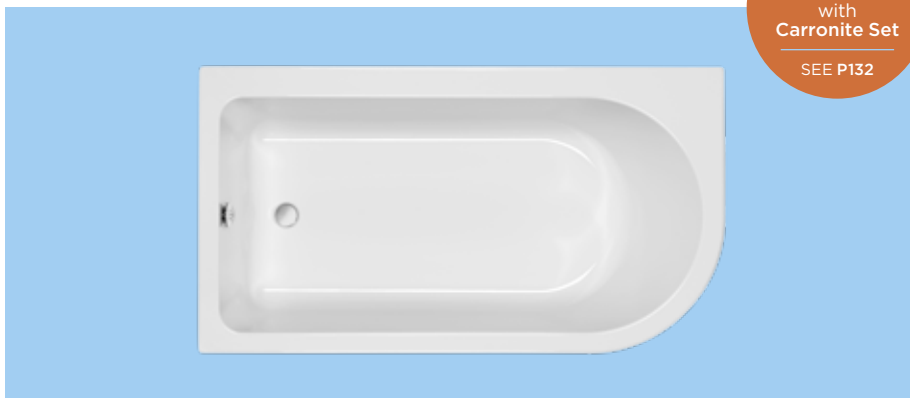
Status Showerbath

Length. **1550mm** | Width. **850mm** | Height. **540mm**

	5mm	Code	Carronite	Code
Status Showerbath (LH)	£752	02398	£1,176	02399
Status Showerbath (RH)	£752	02400	£1,176	02401
Status Showerbath Panel	£273	02404	£388	02405
Screen CFS-1 (H=1400mm)	£262	02344	£262	02344
Set (Bath, Screen, Front Panel)	£1,287	-	£1,826	-

FREE
Shower screen
with
Carronite Set

SEE P132



FEATURES: **C** Carronite **P** Panel
W Whirlpool

CAPACITY: 262 Litres

WHIRLPOOL: Systems ① ④

KIT REF: Standard - AK-03
Carronite - AK-03-C

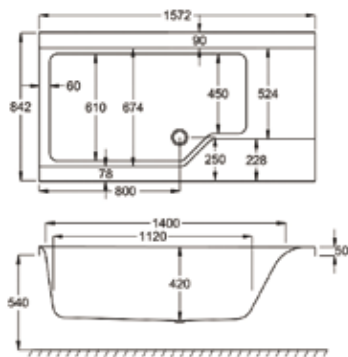
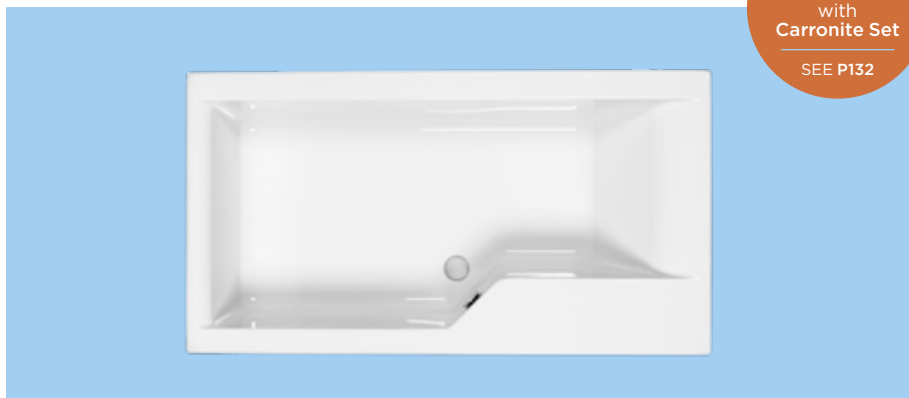
SIZES: 1550x850

Urban Swing

Length. **1575mm** | Width. **850mm** | Height. **540mm**

	Carronite	Code
Urban Swing (LH)	£1,198	02432
Urban Swing (RH)	£1,198	02434
Urban Swing L-Shaped Panel	£372	02441
Urban Swing Front Panel	£188	02440
Screen QSS-2	£346	02347
Set (Bath, Screen, Front Panel)	£1,732	-

FREE
Shower screen
with
Carronite Set
SEE P132



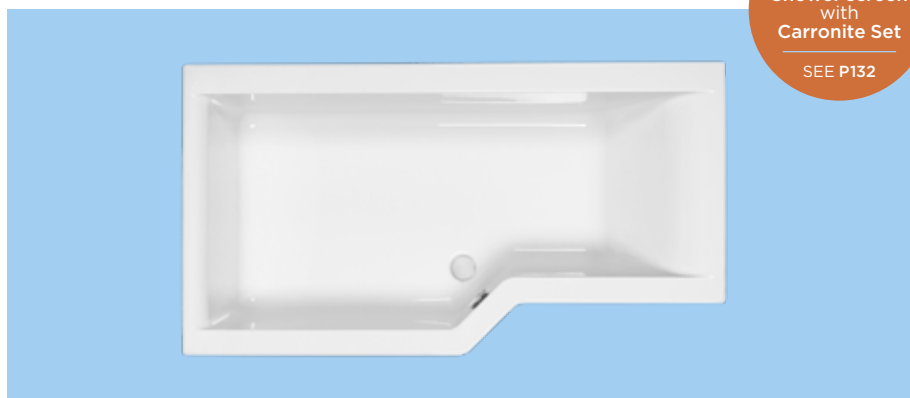
- FEATURES:** **C** Carronite **P** Panel
W Whirlpool
- CAPACITY:** 225 Litres
- WHIRLPOOL:** Systems ① ② ③ ④ ⑤ ⑥
- KIT REF:** Carronite - AK-05-C/AK-12
- SIZES:** 1575x850

This model available only in Carronite.
Left hand and right hand baths available.
Left hand bath shown.

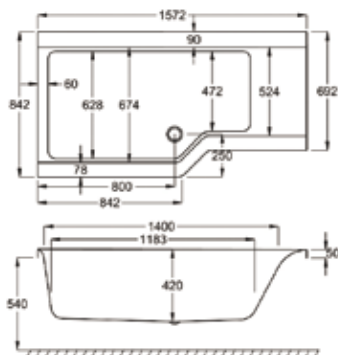
Urban Edge

Length. **1575mm** | Width. **700-850mm** | Height. **540mm**

	5mm	Code	Carronite	Code
Urban Edge Showerbath (LH)	£759	02427	£1,198	02428
Urban Edge Showerbath (RH)	£759	02429	£1,198	02430
L-Shaped Showerbath Panel	-	-	£560	02551
Urban Edge Front Panel	£255	02437	£405	02438
Screen QSS-2	£346	02347	£346	02347
Set (Bath, Screen, Front Panel)	£1,360	-	£1,949	-



FREE
Shower screen
with
Carronite Set
SEE P132



FEATURES: **C** Carronite **P** Panel
W Whirlpool

CAPACITY: 225 Litres

WHIRLPOOL: Systems ① ② ③ ④ ⑤ ⑥

KIT REF: Standard - AK-05
Carronite - AK-05-C

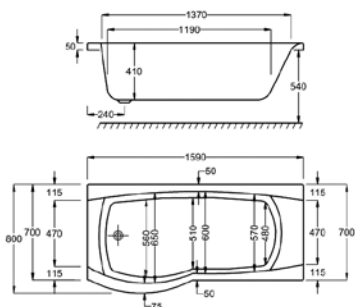
SIZES: 1575x700-850,
1675x700-850

Delta

Length. **1600mm** | Width. **700-800mm** | Height. **540mm**

	5mm	Code	Carronite	Code
Delta Showerbath 1600 (LH)	£711	02071	£1,114	02072
Delta Showerbath 1600 (RH)	£711	02073	£1,114	02074
Delta 1600 SB Front Panel	£186	02295	£376	02296
SB End Panel	£122	02312	£166	02313
Screen CSS-1	£326	02343	£326	02343
Set (Bath, Screen, Front Panel)	£1,223	-	£1,816	-

FREE
Shower screen
with
Carronite Set
SEE P132



FEATURES: **C** Carronite **P** Panel
W Whirlpool

CAPACITY: 210 Litres

WHIRLPOOL: Systems ① ④

KIT REF: Standard - AK-04
Carronite - AK-04-C

SIZES: 1600x700-800,
1700x700-800,

Left hand and right hand baths available.
Left hand bath shown.

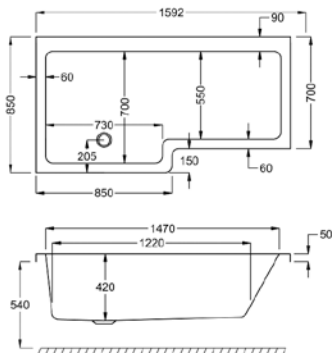
Quantum

Length. **1600mm** | Width. **700-850mm** | Height. **540mm**

	5mm	Code	Carronite	Code
Quantum Showerbath 1600 (LH)	£547	02386	£781	02387
Quantum Showerbath 1600 (RH)	£547	02388	£781	02389
Quantum 1600 SB Front Panel	£194	02390	£418	02391
SB End Panel	£122	02312	£166	02313
Screen QSS-2	£346	02347	£346	02347
Set (bath, screen, front panel)	£1,087	-	£1,545	-

FREE
Shower screen
with
Carronite Set

SEE P132



FEATURES: **C** Carronite **P** Panel

CAPACITY: 250 Litres

WHIRLPOOL: Systems ① ② ③ ④ ⑤ ⑥

KIT REF: Standard – AK-05
Carronite – AK-05-C

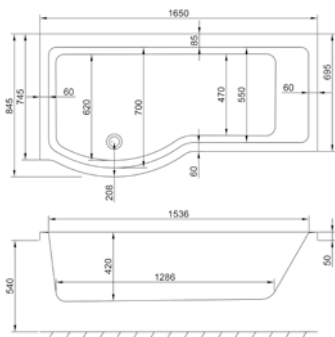
SIZES: 1500x700-850,
1600x700-850,
1700x700-850

Brio

Length. **1650mm** | Width. **700-850mm** | Height. **540mm**

	5mm	Code	Carronite	Code
Brio Showerbath (LH)	£581	02616	£958	02617
Brio Showerbath (RH)	£581	02618	£958	02619
Brio Front Panel	£152	02620	£296	02621
SB End Panel	£122	02312	£166	02313
Screen CSS-4	£326	02380	£326	02380
Set (Bath, Screen, Front Panel)	£1,059	-	£1,580	-

FREE
Shower screen
with
Carronite Set
SEE P132



FEATURES: **C** Carronite **P** Panel
W Whirlpool

CAPACITY: 254 Litres

WHIRLPOOL: Systems ① ④

KIT REF: Standard - AK-05
Carronite - AK-05-C

SIZES: 1650x700-850

Left hand and right hand baths available.
Left hand bath shown.

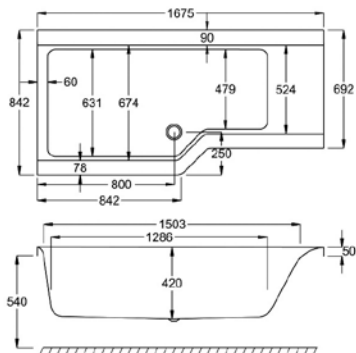
Urban Edge

Length. **1675mm** | Width. **700-850mm** | Height. **540mm**

	5mm	Code	Carronite	Code
Urban Edge Showerbath (LH)	£759	02525	£1,198	02526
Urban Edge Showerbath (RH)	£759	02527	£1,198	02528
L-Shaped Showerbath Panel	-	-	£560	02552
Urban Edge Front Panel	£255	02529	£405	02530
Screen QSS-2	£346	02347	£346	02347
Set (Bath, Screen, Front Panel)	£1,360	-	£1,949	-

FREE
Shower screen
with
Carronite Set

SEE P132



FEATURES: **C** Carronite **P** Panel
W Whirlpool

CAPACITY: 245 Litres

WHIRLPOOL: Systems ① ② ③ ④ ⑤ ⑥

KIT REF: Standard - AK-05
Carronite - AK-05-C

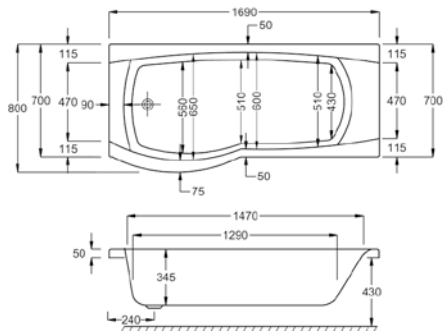
SIZES: 1575x700-850,
1675x700-850

Aspect

Length. **1700mm** | Width. **700-800mm** | Height. **430mm**

	5mm	Code	Carronite	Code
Aspect Showerbath (LH)	£733	02025	£1,146	02026
Aspect Showerbath (RH)	£733	02027	£1,146	02028
Aspect Front Panel	£186	02250	£376	02251
Aspect End Panel	£104	02258	£137	02259
Screen CSS-1	£326	02343	£326	02343
Set (Bath, Screen, Front Panel)	£1,245	-	£1,848	-

FREE
Shower screen
with
Carronite Set
SEE P132



- FEATURES:**
- Ⓒ Carronite
 - ⒫ Panel
 - Ⓐ Accessible
 - Ⓔ Water Saver

CAPACITY: 190 Litres

WHIRLPOOL: N/A

KIT REF: Standard - AK-04
Carronite - AK-04-C

SIZES: 1700x700-800

Left hand and right hand baths available.
Left hand bath shown.

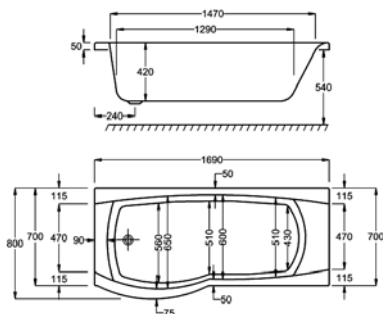
Delta

Length. **1700mm** | Width. **700-800mm** | Height. **540mm**

	5mm	Code	Carronite	Code
Delta Showerbath 1700 (LH)	£711	02075	£1,114	02076
Delta Showerbath 1700 (RH)	£711	02077	£1,114	02078
Delta 1700 SB Front Panel	£186	02297	£376	02298
SB End Panel	£122	02312	£166	02313
Screen CSS-1	£326	02343	£326	02343
Set (Bath, Screen, Front Panel)	£1,223	-	£1,816	-

FREE
Shower screen
with
Carronite Set

SEE P132



FEATURES: **C** Carronite **P** Panel
W Whirlpool

CAPACITY: 230 Litres

WHIRLPOOL: Systems ① ④

KIT REF: Standard - AK-04
Carronite - AK-04-C

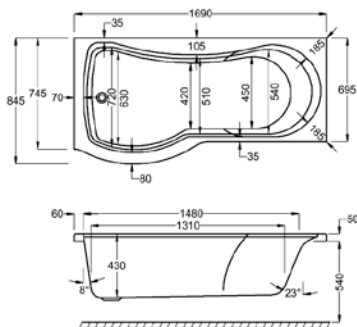
SIZES: 1600x700-800,
1700x700-800

Arc Showerbath

Length. **1700mm** | Width. **700-850mm** | Height. **540mm**

	5mm	Code	Carronite	Code
Arc Showerbath (LH)	£596	02183	£898	02184
Arc Showerbath (RH)	£596	02185	£898	02186
Arc 1700 SB Front Panel	£162	02332	£336	02333
SB End Panel	£122	02312	£166	02313
Screen CSS-2	£321	02350	£321	02350
Set (Bath, Screen, Front Panel)	£1,079	-	£1,555	-

FREE
Shower screen
with
Carronite Set
SEE P132



- FEATURES:** **C** Carronite **P** Panel
W Whirlpool
- CAPACITY:** 250 Litres
- WHIRLPOOL:** Systems ① ④
- KIT REF:** Standard - AK-05
Carronite - AK-05-C
- SIZES:** 1700x700-850

Left hand and right hand baths available.
Left hand bath shown.

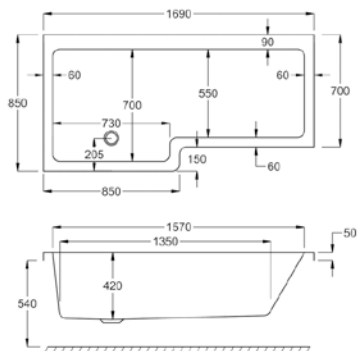
Quantum

Length. **1700mm** | Width. **700-850mm** | Height. **540mm**

	5mm	Code	Carronite	Code
Quantum Showerbath 1700 (LH)	£547	02205	£781	02206
Quantum Showerbath 1700 (RH)	£547	02207	£781	02208
Quantum 1700 SB Front Panel	£194	02326	£418	02327
SB End Panel	£122	02312	£166	02313
Screen QSS-2	£346	02347	£346	02347
Set (bath, screen, front panel)	£1,087	-	£1,545	-

FREE
Shower screen
with
Carronite Set

SEE P132



FEATURES: **C** Carronite **P** Panel

CAPACITY: 265 Litres

WHIRLPOOL: Systems ① ② ③ ④ ⑤ ⑥

KIT REF: Standard – AK-05
Carronite – AK-05-C

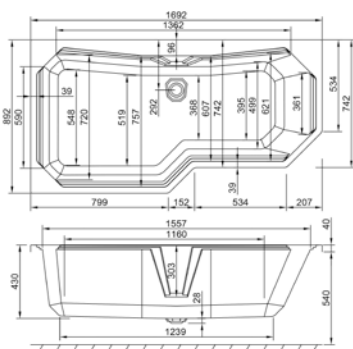
SIZES: 1500x700-850,
1600x700-850,
1700x700-850

Highgate

Length. **1700mm** | Width. **750-900mm** | Height. **540mm**

	Carronite	Code
Highgate Showerbath (LH)	£1,355	02538
Highgate Showerbath (RH)	£1,355	02539
L-Shaped Showerbath Panel	£534	02540
Showerbath Screen with Etching, HGSBL-1 (LH)	£378	02581
Showerbath Screen with Etching, HGSBR-1 (RH)	£378	02582
Set (Bath, Screen, Front Panel)	£2,267	-

FREE
Shower screen
with
Carronite Set
SEE P132



FEATURES: **C** Carronite **P** Panel

CAPACITY: 272 Litres

WHIRLPOOL: N/A

KIT REF: Carronite - AK-05-C

SIZES: 1700x750-900

Left hand and right hand baths available.
Left hand bath shown.

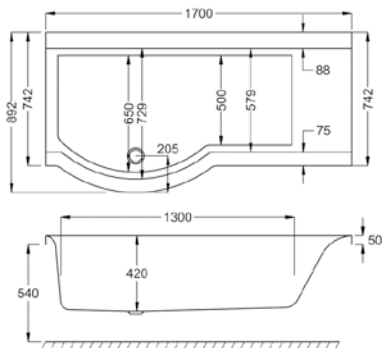
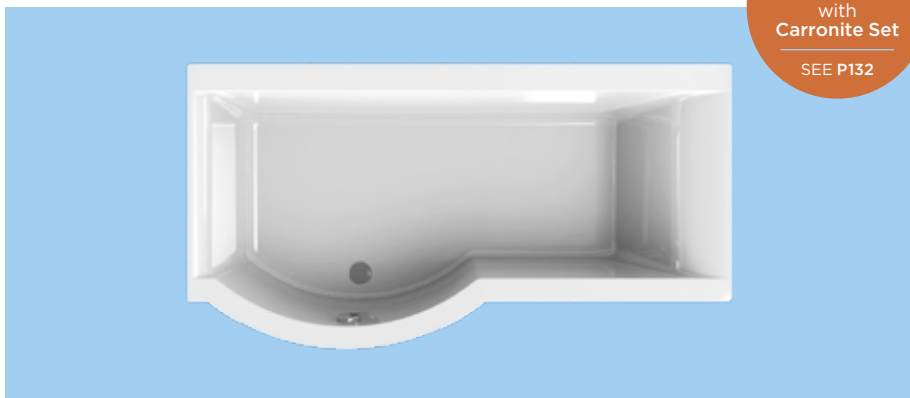
Urban

Length. **1700mm** | Width. **750-900mm** | Height. **540mm**

	5mm	Code	Carronite	Code
Urban Showerbath (LH)	£782	02369	£1,226	02370
Urban Showerbath (RH)	£782	02371	£1,226	02372
L-Shaped Showerbath Panel	-	-	£561	02506
Urban 1700 SB Front Panel	£255	02375	£405	02376
Screen CSS-4	£326	02380	£326	02380
Screen wrap round	£962	02379	£962	02379
Set 1 (Bath, Screen, Front Panel)	£1,363	-	£1,957	-
Set 2 (Bath, Wrap Round Screen, Front Panel)	£1,999	-	£2,593	-

FREE
Shower screen
with
Carronite Set

SEE P132



FEATURES:

- C Carronite
 P Panel
W Whirlpool

CAPACITY: 260 Litres

WHIRLPOOL: Systems ① ② ③ ④ ⑤ ⑥

KIT REF: Standard - AK-05
Carronite - AK-05-C

SIZES: 1700x750-900

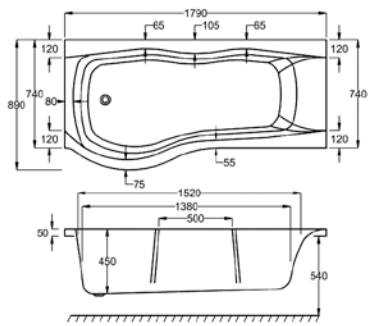
Sigma

Length. **1800mm** | Width. **750-900mm** | Height. **540mm**

			Carronite	Code
Sigma Showerbath (LH)	£1,141	02471	£1,633	02473
Sigma Showerbath (RH)	£1,141	02472	£1,633	02474
Sigma 1800 SB Panel	£210	02514	£376	02515
SB End Panel	£122	02385	£166	02383
Screen CSS-2	£321	02350	£321	02350
Set (Bath, Screen, Front Panel)	£1,672	-	£2,330	-

FREE
Shower screen
with
Carronite Set

SEE P132



- FEATURES:** **C** Carronite **P** Panel
 W Whirlpool
- CAPACITY:** 265 Litres
- WHIRLPOOL:** Systems ① ② ③ ④ ⑤ ⑥
- KIT REF:** Standard - AK-05
 Carronite - AK-05-C
- SIZES:** 1800x750-900

Left hand and right hand baths available.
Left hand bath shown.

Freestanding Baths

Opulent, stylish, yet still practical, Carron Freestanding baths make the right statement in any luxury setting. If you value high quality manufacturing, you will value Carron Freestanding baths.

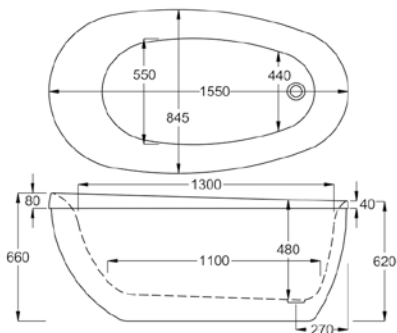


Paradigm

Length. **1550mm** | Width. **850mm** | Height. **620-680mm**

	Carronite	Code
Paradigm (inc waste/overflow)	£1,788	02132
Paradigm (with filler)	£1,968	02132+

Also available as a ColourMatch option, see page 162 for more details.



FEATURES:  Carronite

CAPACITY: 238 Litres

WHIRLPOOL: N/A

KIT REF: N/A

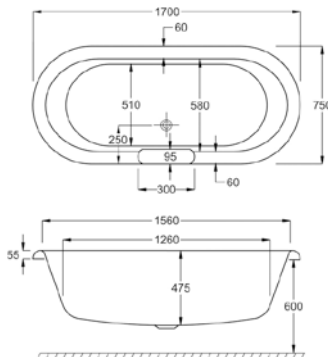
SIZES: 1550x850

Ascoli

Length. **1700mm** | Width. **750mm** | Height. **655mm**

	5mm	Code	Carronite	Code
Ascoli	£1,281	02024	-	-
Chrome Feet	£487	02022	-	-
Inset option Ascoli inset	£722	02498	£1,174	02498C

Also available as a ColourMatch option, see page 162 for more details.



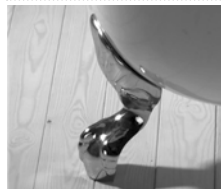
FEATURES: Carronite

CAPACITY: 247 Litres

WHIRLPOOL: N/A

KIT REF: Carronite - AK-03-C
(Inset bath only)

SIZES: 1700x750

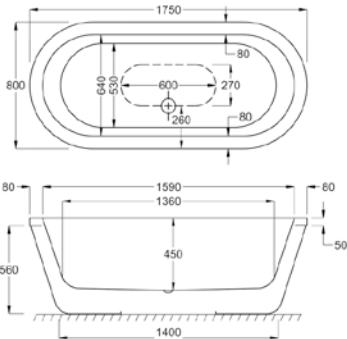


Halcyon Oval

Length. **1750mm** | Width. **800mm** | Height. **610mm**

	5mm	Code	Carronite	Code
Halcyon Oval - White (includes overflow only)			£1,788	02102
Halcyon Oval - White (includes filler)			£1,958	02102+
Halcyon Oval - Black (includes overflow only)			£1,788	02104
Halcyon Oval - Black (includes filler)			£1,958	02104+
Halcyon Oval - Red (includes overflow only)			£1,788	02103
Halcyon Oval - Red (includes filler)			£1,958	02103+
Inset option Halcyon OVAL inset	£646	02100	£1,088	02101

Also available as a ColourMatch option, see page 162 for more details.



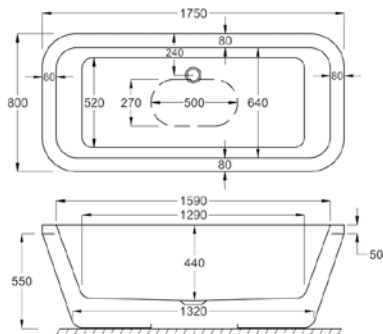
FEATURES:	© Carronite
CAPACITY:	270 Litres
WHIRLPOOL:	N/A
KIT REF:	Carronite – AK-03-C (Inset bath only)
SIZES:	1750x800

Halcyon Square

Length. **1750mm** | Width. **800mm** | Height. **600mm**

	5mm Code	Carronite Code
Halcyon square - white (includes overflow only)		£1,788 O2105
Halcyon square - white (includes filler)		£1,958 O2105+
Halcyon square - Black (includes overflow only)		£1,788 O2561
Halcyon square - Black (includes filler)		£1,958 O2561+
Halcyon square - Red (includes overflow only)		£1,788 O2562
Halcyon square - Red (includes filler)		£1,958 O2562+
Inset option Halcyon SQUARE Inset	£646 O2487	£1,088 O2488

Also available as a ColourMatch option, see page 162 for more details.

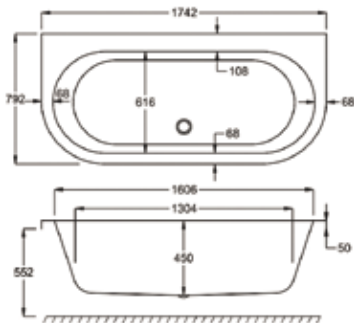


- FEATURES:** Carronite
- CAPACITY:** 286 Litres
- WHIRLPOOL:** N/A
- KIT REF:** Carronite - AK-03-C (Inset bath only)
- SIZES:** 1750x800

Halcyon D

Length. **1750mm** | Width. **800mm** | Height. **602mm**

	5mm	Code	Carronite	Code
Halcyon D	£646	02416	£1,088	02417
Halcyon D One-Piece Panel (WHITE)			£561	02436
Halcyon D One-Piece Panel (GRANITE / COLOUR MATCH)*			£672	02453



FEATURES: **C** Carronite **P** Panel

CAPACITY: 253 Litres

WHIRLPOOL: N/A

KIT REF: Standard - AK-01
Carronite - AK-01-C

SIZES: 1750x800

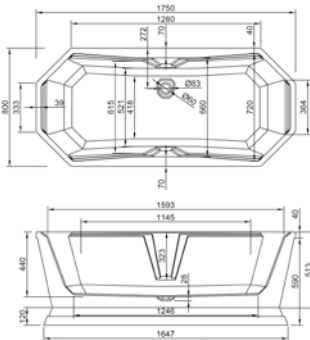
* For colour match panel please contact your supplier.

Highgate

Length. **1750mm** | Width. **800mm** | Height. **630mm**

	Carronite	Code
Highgate freestanding - White	£2,171	02541
Highgate freestanding - Colour (centre panel)	£3,283	02542

Also available as a ColourMatch option, see page 162 for more details.



FEATURES: Carronite

CAPACITY: 265 Litres

WHIRLPOOL: N/A

KIT REF: N/A

SIZES: 1750x800

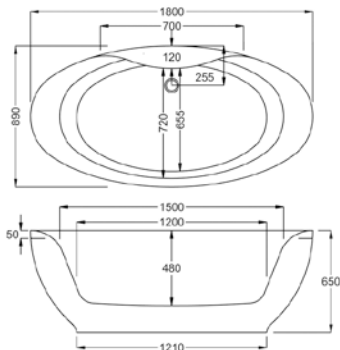
* For colour match panel please contact your supplier.

Elysee

Length. **1800mm** | Width. **900mm** | Height. **650mm**

	5mm	Code	Carronite	Code
Elysee (includes waste/overflow)	-	-	£1,788	02086
Optional Filler (Freestanding Version only) Overflow/Filler/Clicker Waste			£180	02086+
Inset option Elysee inset	£752	02084	£1,223	02085

Also available as a ColourMatch option, see page 162 for more details.



FEATURES: **C** Carronite **W** Whirlpool

CAPACITY: 330 Litres

WHIRLPOOL: Systems ① ② ③ ④ ⑤
⑥ (inset only)

KIT REF: N/A

SIZES: 1800x900

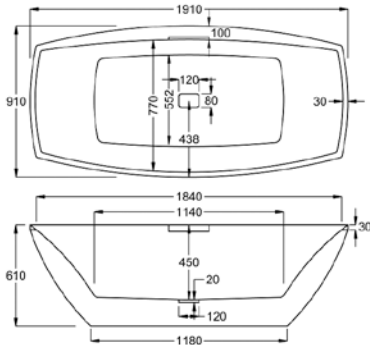
Celsius

Length. **1910mm** | Width. **910mm** | Height. **610mm**

	Carronite	Code
Celsius – White (includes overflow/filler/clicker waste)*	£2,171	02492
Celsius – Granite (includes overflow/filler/clicker waste)*	£3,283	02493

*Min 1.5 bar pressure required

Also available as a ColourMatch option, see page 162 for more details.



FEATURES:	© Carronite
CAPACITY:	330 Litres
WHIRLPOOL:	N/A
KIT REF:	N/A
SIZES:	1910x910

ColourMatch

The future is colour

Carron's ColourMatch concept is our solution to the ever changing design environment. So your clients will no longer be restricted to white for their freestanding baths.

Every bath is coloured to the client's specification based on a RAL classic colour reference. Providing a unique design statement while still meeting Carron's rigorous manufacturing standards.



ColourMatch



ColourMatch Infinity Base



ColourMatch

With ColourMatch, your client can choose the colour of their freestanding bath base by simply providing a RAL classic colour reference number.

Bath Model	Size	Page	Carronite	Code
Paradigm	1550x850mm	152	£2,158	02132 CM
Ascoli (c/w Chrome Feet)	1700x750mm	153	£1,944	02024 CM
Halcyon Oval	1750x800mm	154	£2,159	02102 CM
Halcyon Square	1750x800mm	155	£2,159	02105 CM
Highgate Central Panel	1750x800mm	157	£3,271	02542 CM
Elysee	1800x900mm	158	£2,158	02086 CM
Celsius Freestanding	1910x910mm	159	£3,271	02493 CM

***ColourMatch base available in any Ral classic colour.**

*All prices include Filler/Waste/Overflow (excludes valve).

**Ascoli does not include Filler/Waste/Overflow.

All Baths Carronite™ as standard. Allow 6 week lead time.

Please contact Carron Bathrooms direct to discuss requirements before placing order for ColourMatch.

ColourMatch Infinity Base

Our unique Infinity Base is designed to turn our most popular 1700x750 double ended models into a freestanding bath. Bringing together the flexibility of our standard rectangular range, the luxury of a freestanding bath and the added style statement of ColourMatch, all in one.

C/W Coloured Base

Bath Model	Size	Page	Carronite	Code
Infinity Alpha	1700x750mm	72	£1,448	02700
Infinity Echelon	1700x750mm	77	£1,644	02702
Infinity Equation	1700x750mm	78	£1,448	02704
Infinity Equity	1700x750mm	79	£1,448	02706
Infinity Profile	1700x750mm	84	£1,448	02708
Infinity Quantum	1700x750mm	85	£1,448	02710

C/W White Base

Bath Model	Size	Page	Carronite	Code
Infinity Alpha	1700x750mm	72	£1,231	02701
Infinity Echelon	1700x750mm	77	£1,427	02703
Infinity Equation	1700x750mm	78	£1,231	02705
Infinity Equity	1700x750mm	79	£1,231	02707
Infinity Profile	1700x750mm	84	£1,231	02709
Infinity Quantum	1700x750mm	85	£1,231	02711

***Infinity base available in any Ral classic colour.**

*All prices include Filler/Waste/Overflow (excludes valve).

All Baths Carronite™ as standard. Allow 6 week lead time. Please contact Carron Bathrooms direct to discuss requirements before placing order for ColourMatch.

Carron Editions

Carron Baths have always been designed to look good in the home and come with a range of practical benefits. We've built our name on conformance, service and reliability. Yet sometimes we want to innovate while also addressing the latest trends.

We want our customers to buy a bath that comes with all the Carron reliability, but we also want them to make an impact in their homes. To create something they can be proud of. Something with wow factor.

This is Carron Editions.



Low Rim



Anthracite Accessories



Carron Editions Collection

The Editions range covers innovative new bath finishes, design details for new models and existing Carron favourites, and a range of accessories that will impact any bathroom interior. To add an extra layer of luxury and reliability, Editions baths comes with Carronite as standard.

***All Editions models must be installed in a plinth setting.
No panels available.**

Editions Gloss Finish & Low Rim

Bath Model	Size	Carronite	Code
Editions Sienna (Gloss)	1700x750mm	£1,049	02801
Editions Sienna (Gloss)	1800x800mm	£1,112	02802
Editions Profile (Gloss)	1700x750mm	£1,049	02805
Editions Profile (Gloss)	1750x750mm	£1,112	02806
Editions Echelon (Gloss) (c/w overflow filler)	1700x750mm	£1,154	02809
Editions Echelon (Gloss) (c/w overflow filler)	1800x800mm	£1,269	02810
Editions Quantum SE (Gloss)	1700x750mm	£1,049	02813
Editions Quantum SE (Gloss)	1800x800mm	£1,112	02814
Editions Quantum DE (Gloss)	1700x750mm	£1,049	02815
Editions Quantum DE (Gloss)	1800x800mm	£1,112	02816
Chrome Grips			
Editions Quantum Integra (Gloss)	1700x750mm	£1,080	02817
Editions Quantum Integra (Gloss)	1800x800mm	£1,154	02818
Black Grips			
Editions Quantum Integra (Gloss)	1700x750mm	£1,141	02819
Editions Quantum Integra (Gloss)	1800x800mm	£1,215	02820

+ Low Rim

All Editions baths are Low Rim. A subtle feature that transforms a standard bath rim into a cutting-edge design statement.

+ Matt Finish

These almost soft-feel baths bring a stylish look to compliment the comfortable bathing experience.

+ Anthracite Accessories

A simple, stylish addition to your bath that makes a real impact.

Editions Matt Finish & Low Rim

Bath Model	Size	Carronite	Code
Editions Sienna (Matt)	1700x750mm	£1,154	02803
Editions Sienna (Matt)	1800x800mm	£1,206	02804
Editions Profile (Matt)	1700x750mm	£1,154	02807
Editions Profile (Matt)	1750x750mm	£1,206	02808
Editions Echelon (Matt) (c/w overflow filler)	1700x750mm	£1,206	02811
Editions Echelon (Matt) (c/w overflow filler)	1800x800mm	£1,469	02812

Editions Anthracite Accessories

Bath Model	Price
Anthracite Integra Handgrips	£60 per pair (extra)
Anthracite Celsius Waste & Overflow	£125 (extra)
Anthracite Celsius Filler, Waste & Overflow	£125 (extra)



Anthracite Integra Handgrips



Anthracite Celsius Waste & Overflow



Anthracite Celsius Filler, Waste & Overflow

Corner Baths

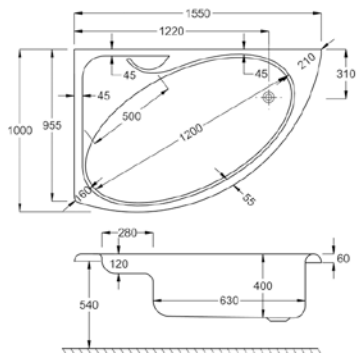
Ideal where space and layout are an issue,
our Corner bath range combines great design,
practicality and comfort.



Dove

Length. **1550mm** | Width. **950mm** | Height. **540mm**

	5mm	Code	Carronite	Code
Dove (LH)	£816	02232	£1,100	02233
Dove (RH)	£816	02234	£1,100	02235
Affinity 1550 Panel	£205	02262	£385	02263



FEATURES: **C** Carronite **P** Panel
W Whirlpool

CAPACITY: 190 Litres

WHIRLPOOL: Systems ① ④

KIT REF: Standard - AK-09-C
Carronite - AK-09-C

SIZES: 1550x950



D O V E

Curved and compatible

Looking for a flexible bath in a tight space? The Dove is the solution.

Certain bathroom layouts can be challenging when choosing your bath. However, you shouldn't have to compromise on design to work with a challenging layout.

The generous bathing capacity of the Dove sits within a tight, 1550x950mm

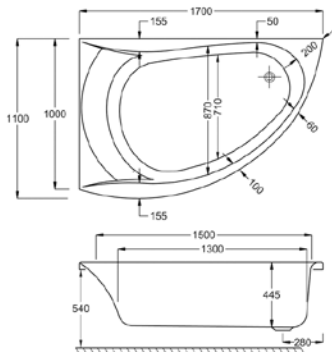
footprint, so squarer spaces are ideal for this corner bath.

The Dove doesn't just need to be the solution to a layout problem. Its distinctive styling and bathing practicality provide a comfortable bathing experience and is ideal for families with small children.

Omega

Length. **1700mm** | Width. **1000mm** | Height. **540mm**

	5mm	Code	Carronite	Code
Omega (LH)	£1,061	02238	£1,665	02239
Omega (RH)	£1,061	02240	£1,665	02241
Affinity 1700 Panel	£205	02306	£385	02308



FEATURES: **C** Carronite **P** Panel
W Whirlpool

CAPACITY: 255 Litres

WHIRLPOOL: Systems ① ② ③ ④ ⑤ ⑥

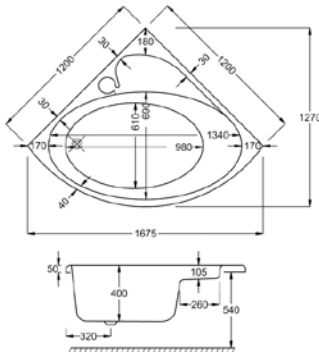
KIT REF: Standard - AK-05
Carronite - AK-05-C

SIZES: 1700x1000

Oriole

Length. **1200mm** | Width. **1200mm** | Height. **540mm**

	5mm	Code	Carronite	Code
Oriole	£868	02242	£1,055	02243
Affinity 1200 Panel	£205	02260	£385	02261



FEATURES: **C** Carronite **P** Panel

CAPACITY: 190 Litres

WHIRLPOOL: N/A

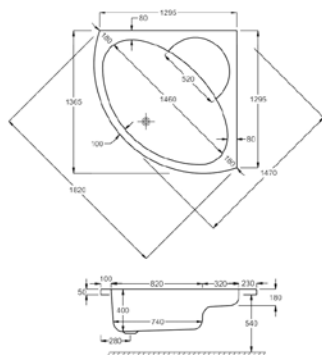
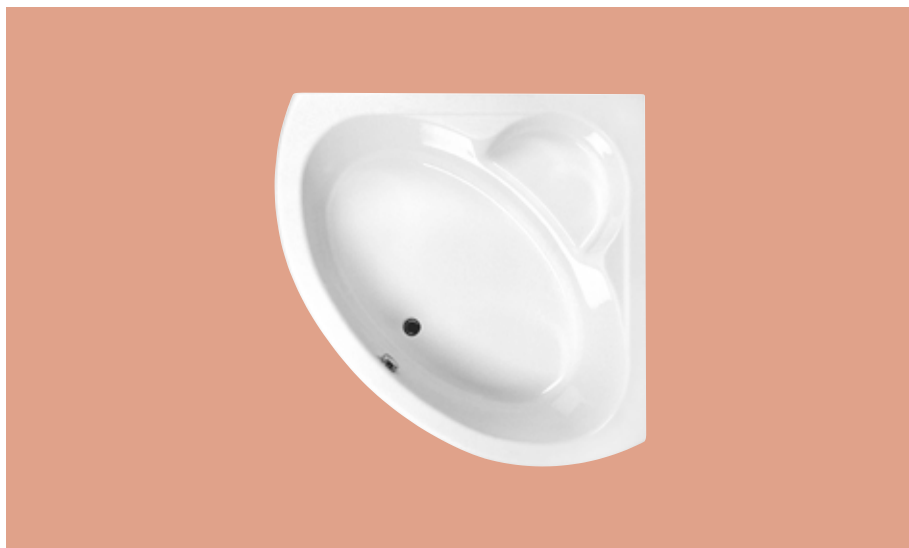
KIT REF: Carronite - AK-09-C
Carronite - AK-09-C

SIZES: 1200x1200

Monarch

Length. **1300mm** | Width. **1300mm** | Height. **540mm**

	5mm	Code	Carronite	Code
Monarch	£926	02236	£1,119	02237
Affinity 1300 Panel	£205	02304	£385	02305



FEATURES: **C** Carronite **P** Panel
W Whirlpool

CAPACITY: 235 Litres

WHIRLPOOL: Systems ① ④

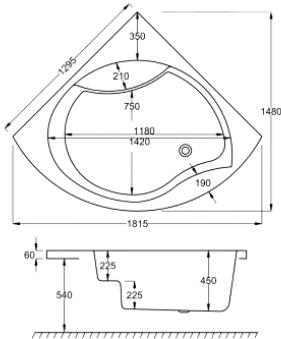
KIT REF: Standard - AK-02
Carronite - AK-02-C

SIZES: 1300x1300

Tranquility

Length. **1300mm** | Width. **1300mm** | Height. **540mm**

	5mm	Code	Carronite	Code
Tranquility	£1,002	02244	£1,504	02245
Affinity 1300 Panel	£205	02304	£385	02305



FEATURES: **C** Carronite **P** Panel
W Whirlpool

CAPACITY: 295 Litres

WHIRLPOOL: Systems ① ② ③ ④ ⑤ ⑥

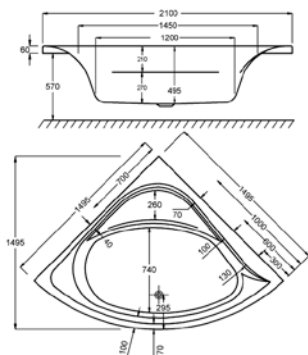
KIT REF: Carronite - AK-08-C
Carronite - AK-08-C

SIZES: 1300x1300

Centennial

Length. **1500mm** | Width. **1500mm** | Height. **570mm**

	5mm	Code	Carronite	Code
Centennial	£1,198	02230	£1,680	02231
Centennial Panel	£205	02264	£385	02265



FEATURES: **C** Carronite **P** Panel
W Whirlpool

CAPACITY: 407 Litres

WHIRLPOOL: Systems ① ② ③ ④ ⑤ ⑥

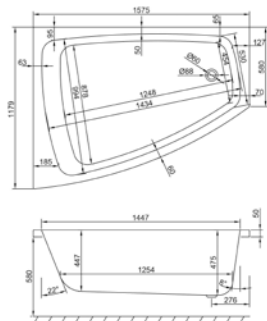
KIT REF: Standard - AK-07-C
Carronite - AK-07-C

SIZES: 1500x1500

Clipper

Length. **1575mm** | Width. **1200mm** | Height. **580mm**

	5mm	Code	Carronite	Code
Clipper (LH)	£711	02476	£1,001	02475
Clipper (RH)	£711	02478	£1,001	02477
Clipper L-Shaped Panel	-	-	£385	02479



FEATURES: **C** Carronite **P** Panel
W Whirlpool

CAPACITY: 335 Litres

WHIRLPOOL: Systems ① ② ③ ④ ⑤ ⑥

KIT REF: Standard - AK-05-C
Carronite - AK-05-C

SIZES: 1575x1200

Left hand and right hand baths available.
Right hand bath shown.

Celsius Range

As Carron's signature range, our Celsius baths never compromise on comfort and luxury while remaining stylish and bold. Available in Standard, Showerbath, Duo and Freestanding options.

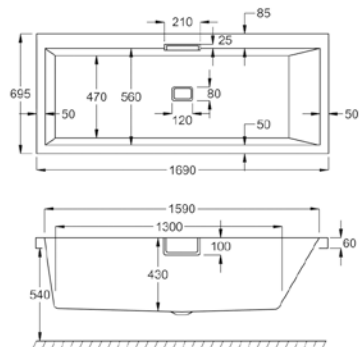


Celsius 700

Length. **1700mm** | Width. **700mm** | Height. **540mm**

	Carronite	Code
Celsius 700 (LH) (includes overflow/filler)*	£946	02406
Celsius 700 (RH) (includes overflow/filler)*	£946	02407
L-Shaped Panel 700	£368	02569
1700 Front Panel	£197	02319
Screen CFS-1 (H=1400mm)	£262	02344
Screen CFS-2 (H=1500mm)	£262	02346
Optional Overflow/Clicker Waste	no charge	02534

*Min 1.5 bar pressure required



FEATURES: **C** Carronite **P** Panel
W Whirlpool

CAPACITY: 265 Litres

WHIRLPOOL: Systems ① ② ③ ④ ⑤ ⑥

KIT REF: Carronite – AK-01-C

SIZES: 1700x700

The Celsius bath comes with the uniquely designed overflow/filler included. Standard overflow/clicker available on request.

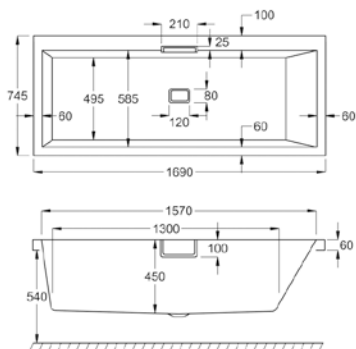
Left hand and right hand baths available.
Right hand bath shown.

Celsius 750

Length. **1700mm** | Width. **750mm** | Height. **540mm**

	Carronite	Code
Celsius 750 (LH) (includes overflow/filler/clicker waste)*	£1,115	02408
Celsius 750 (RH) (includes overflow/filler/clicker waste) *	£1,115	02409
L-Shaped Panel 750	£368	02300
1700 Front Panel	£197	02319
Screen CFS-1 (H=1400mm)	£262	02344
Screen CFS-2 (H=1500mm)	£262	02346
Optional Overflow/Clicker Waste	no charge	02534

*Min 1.5 bar pressure required



FEATURES: **C** Carronite **P** Panel
W Whirlpool

CAPACITY: 275 Litres

WHIRLPOOL: Systems ① ② ③ ④ ⑤ ⑥

KIT REF: Carronite - AK-01-C

SIZES: 1700x750

The Celsius bath comes with the uniquely designed overflow/filler included. Standard overflow/clicker available on request.

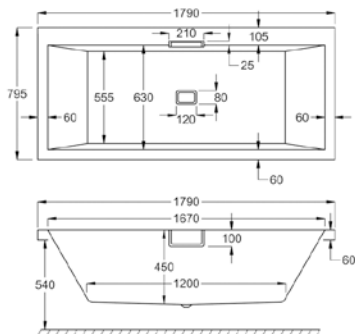
Left hand and right hand baths available.
Right hand bath shown.

Celsius 1800

Length. **1800mm** | Width. **800mm** | Height. **540mm**

	Carronite	Code
Celsius 1800 (includes overflow/filler/clicker waste)*	£1,463	02410
L-Shaped Panel 1800	£368	02301
1800 Front Panel	£205	02323
Screen CFS-1 (H=1400mm)	£262	02344
Screen CFS-2 (H=1500mm)	£262	02346
Optional Overflow/Clicker Waste	no charge	02534

*Min 1.5 bar pressure required



FEATURES: **C** Carronite **P** Panel
W Whirlpool

CAPACITY: 300 Litres

WHIRLPOOL: Systems ① ② ③ ④ ⑤ ⑥

KIT REF: Carronite – AK-03-C

SIZES: 1800x800

The Celsius bath comes with the uniquely designed overflow/filler included. Standard overflow/clicker available on request.

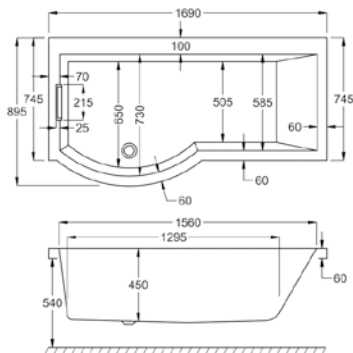
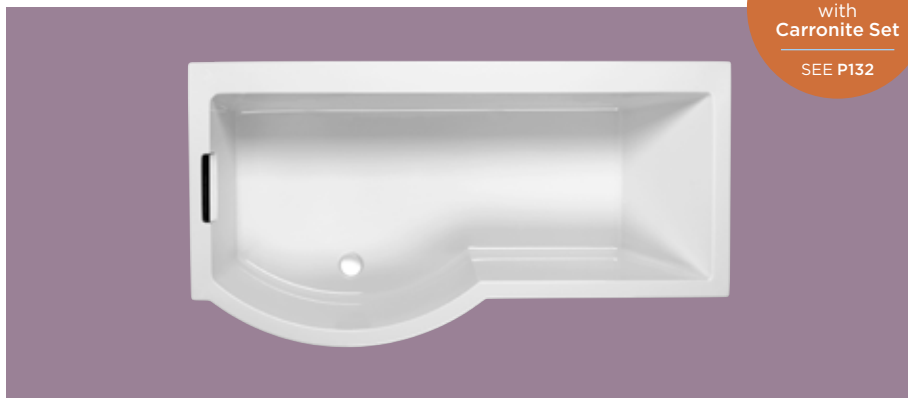
Celsius Showerbath

Length. **1700mm** | Width. **750-900mm** | Height. **540mm**

	5mm Code	Carronite Code
Celsius Showerbath (LH) (includes overflow/filler/clicker waste)*	£1,384	02412
Celsius Showerbath (RH) (includes overflow/filler/clicker waste)*	£1,384	02413
L-Shaped Showerbath panel	£561	02506
Showerbath Front Panel	£405	02376
Screen CSS-4	£326	02380
Screen "Wrap round"	£962	02379
Optional Overflow/Clicker Waste	no charge	02534

*Min 1.5 bar pressure required

FREE
Shower screen
with
Carronite Set
SEE P132



FEATURES: **C** Carronite **P** Panel
W Whirlpool

CAPACITY: 305 Litres

WHIRLPOOL: Systems ① ② ③ ④ ⑤ ⑥

KIT REF: Carronite - AK-05-C

SIZES: 1700x750-900

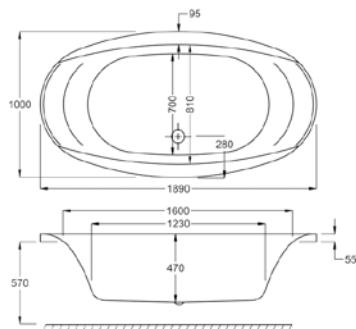
The Celsius bath comes with the uniquely designed overflow/filler included. Standard overflow/clicker available on request.

Left hand and right hand baths available.
Left hand bath shown.

Celsius Oval

Length. **1900mm** | Width. **1000mm** | Height. **570mm**

	Carronite	Code
Celsius Oval	£1,722	02494
Front Oval Panel (for semi-inset installation)	£613	02497



FEATURES: **C** Carronite **W** Whirlpool

CAPACITY: 320 Litres

WHIRLPOOL: Systems ① ② ③ ④ ⑤ ⑥

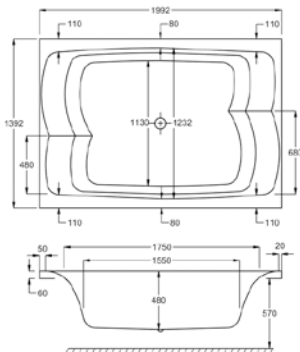
KIT REF: Carronite – AK-03-C

SIZES: 1900x1000

Celsius Duo

Length. **2000mm** | Width. **1400mm** | Height. **570mm**

Celsius Duo	Carronite	Code
	£3,314	02411



FEATURES: Carronite Whirlpool

CAPACITY: 560 Litres

WHIRLPOOL: Options ① ② ③ ④

Extended Systems.
Please ask for more information.

KIT REF: Carronite - AK-01-C x 2

SIZES: 2000x1400

Extended waste / overflow fittings required for the Celsius Duo bath.

Panels, Screens & Accessories

When buying a Carron bath, it is just as important to ensure that your accessories are up to the job. Designed and manufactured specifically to fit perfectly with the Carron range all our panels, screens, grips and headrests guarantee a perfect fit and an easy install.

Screens

All Carron showerbaths have a custom designed screen available. The Quantum Showerbath has a unique screen while the more traditional P-shaped showerbaths in the Carron range have the option of a curved screen or a fully enclosed wrap round screen. Giving more definition to the shower area.

Standard flat screens come in two size and shape options, produced to match Carron's high standard of manufacturing.

Shower screen options

Carron standard flat screens come in two heights with either a square or curved profile. Now available with chrome or black finish profile.

CFS-1 Screen (H=1400mm)

Chrome profile **£262** 02344

Black profile **£262** 02344B

CFS-2 Screen (H=1500mm)

Chrome profile **£262** 02346

Black profile **£262** 02346B



Panels

We offer a range of panels to complete the look of your chosen bath. One piece L-Shaped panels provide the ideal solution, ensuring a flawless finish and removing any unsightly joins between front and end panels. Where an L-Shaped Panel is not suitable, standard front and end panels are also available.

All front and end panels can be purchased in standard or Carronite finishes.

L-Shaped Panels

Length x Width	Height	Carronite	Code
1500 x 700	430	£368	02499
1500 x 700	515	£368	02502
1600 x 700	430	£368	02500
1600 x 700	515	£368	02503
1600 x 800	540	£368	02567
1650 x 700	430	£368	02597
1650 x 700	515	£368	02531
1675 x 700	515	£368	02568
1700 x 700	430	£368	02501
1700 x 700	515	£368	02299
1700 x 700	540	£368	02569
1700 x 725	540	£368	02570
1700 x 750	540	£368	02300
1700 x 800	540	£368	02489
1750 x 750	540	£368	02607
1800 x 700	540	£368	02311
1800 x 725	540	£368	02608
1800 x 800	540	£368	02301

Front Panels

Length	Height	STD	Code	Carronite	Code
1400	515	£130	02280	£188	02266
1500	430	£130	02252	£188	02253
1500	515	£130	02315	£188	02314
1600	430	£130	02254	£188	02255
1600	515	£130	02316	£188	02317
1600	540	£146	02281	£197	02267
1650	430	£130	02598	£188	02599
1650	515	£130	02282	£188	02268
1675	515	£130	02283	£188	02269
1700	430	£130	02256	£188	02257
1700	515	£130	02320	£188	02321
1700	540	£146	02318	£197	02319
1750	540	£146	02601	£197	02602
1800	540	£155	02322	£205	02323
1900	570	£155	02284	£205	02270

End Panels

	Height	STD	Code	Carronite	Code
700	430	£104	02258	£137	02259
700	515	£104	02285	£137	02271
700	540	£104	02286	£137	02272
725	540	£104	02287	£137	02307
750	515	£104	02288	£137	02274
750	540	£104	02289	£137	02275
800	540	£104	02291	£137	02277
900	540	£115	02293	£150	02278
900	570	£115	02294	£150	02279

Screens

Screen Range	Height	RRP (Ex VAT)	code
CFS-1 - Chrome profile	1400mm	£262	02344
CFS-1- Black profile	1400mm	£262	02344B
CFS-2 - Chrome profile	1500mm	£262	02346
CFS-2- Black profile	1500mm	£262	02346B
QSS-1 (fixed I-profile)	1400mm	£346	02347+
QSS-1 (fixed I-profile Black)	1400mm	£346	02347+B
QSS-2	1400mm	£346	02347
CSS-1	1400mm	£326	02343
CSS-2	1400mm	£321	02350
CSS-4	1400mm	£326	02380
2-SS2 Wrap Round Screen	1450mm	£962	02379

Headrests

Headrests	Compatible	RRP (Ex VAT)
HR600	Haiku, Linea	£136
HR700	Haiku	£136
HR800	Alpha/Aspect/Axis/Delta/ Imperial/Index/Sigma	£136
HR900	Agenda/Halcyon Square/ Quantum/Celsius 700	£136

HR600 Headrest



HR800 Headrest



Get in touch

If you need more information on a specific product, a recent purchase or would like to learn more about Carron Bathrooms and our products and services, please call us on +44 (0)1324 638 407.

When placing an order, please use both the product code and description.

Address.

Carron Bathrooms, North Carron Works
Stenhouse Rd, Falkirk FK2 8UW
Scotland, United Kingdom

Tel. +44 (0)1324 638 407

Fax. +44 (0)1324 611 490

Email. info@carronbathrooms.com

Follow. [facebook/carronbathrooms](https://www.facebook.com/carronbathrooms)



Cert No. 13938

Please note: All dimensions shown in this document are nominal and approximate. Full technical drawings are available from your retailer or www.carronbathrooms.com. Carron Bathrooms' policy is one of continuous product improvement. We therefore reserve the right to change specifications, designs and costings without notice. All contents of this brochure © Carron Bathrooms Limited. January 2025 - E & OE. For the full range of Carron products please visit our website. Design: sevenfivecreative.com

ALL PRICES EXCLUSIVE OF VAT.

www.carronbathrooms.com

